



Model **HCB/B-1** Hot Coal Bin. Shown with optional 31 gal. galvanized steel can (Model no. CNG-2310C).

SPECIFICATIONS:

- **Provides fire-proof containment of unextinguished embers**
 - **Heavy 14 gage construction**
 - **Grate restricts depositing of trash items**
 - **Full length hinge on door**
 - **Lockable tension latch**
 - **On ground surfaces use with optional metal liner**
 - **On hard surfaces use with or without a liner inside, square shape makes it easy to scoop out with flat shovel**
 - **Quality construction throughout**
- **Model HCB/B-1** Hot Coal Bin shall be three side panels , one door panel, and a four sided funnel shaped top constructed of 14 ga. die-formed steel. The top shall have a grate constructed of eight 1/2" A-36 steel rods spaced at 2-3/8" centers arranged in a criss-cross pattern that creates twenty-five 2-1/8" opening to allow full sized charcoal briquettes to pass through but restrict larger objects from entering the bin. All exposed edges and corners shall by rounded.
 - A .060 x 2" x 28" piano hinge shall attach the door panel to a side panel of the bin. A 1" wide support strap shall maintain the box shape at the bottom of the door side of the bin. The door shall be secured by means of a tension latch. An optional padlock (Model no. PL-1) is available.
 - Bin shall be 22-7/16" wide x 22-1/4" deep x 32-7/16" high. A 1" mounting flange shall be included on the three side panels for an overall width of 24-1/4" and depth of 23-1/2".
 - Entire unit shall be finished in high temperature, heat resistant, nontoxic black enamel.
 - Two use identification decals shall be included.
 - **Optional:** Hot Coal Bin may be anchored in place on ground surfaces by means of three anchor stakes.(Model no. M9/B) or on hard surfaces by means of four concrete anchors (Model no. BR-4HSA).
 - **Optional:** Accessories to compliment the Hot Coal Bin include; 31 gallon galvanized steel can liner (Model no. CNG-2310C), Grill and Grate Scraper (Model no. GGS/B-1), used to scrape ashes into 12 quart galvanized steel collection pail (Model no. CNG-112)..

AVAILABLE OPTIONS

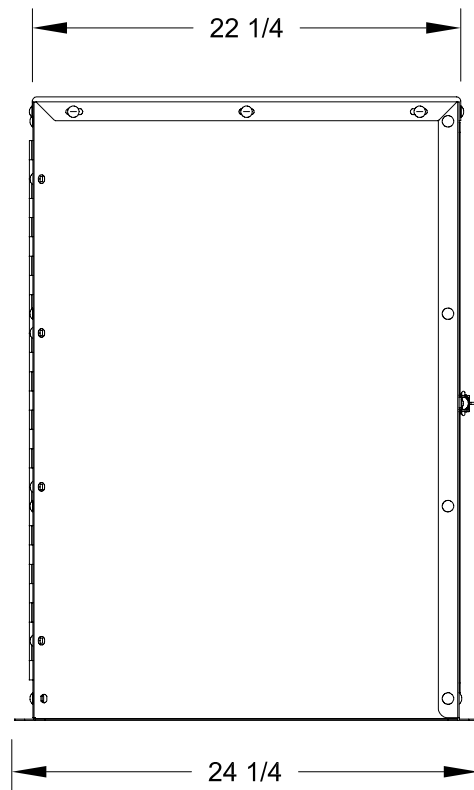
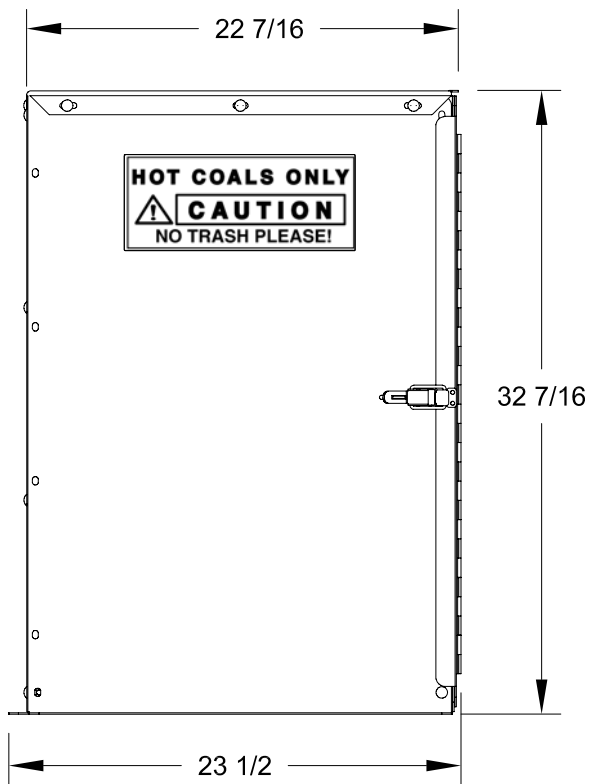
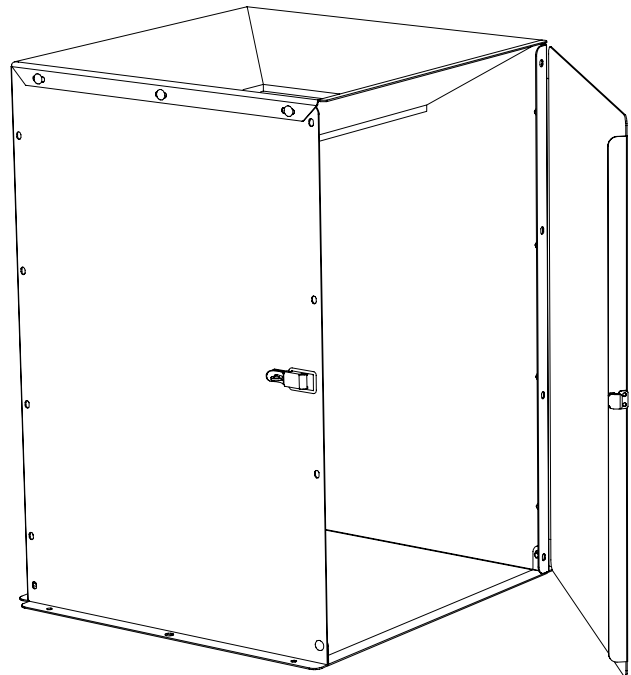
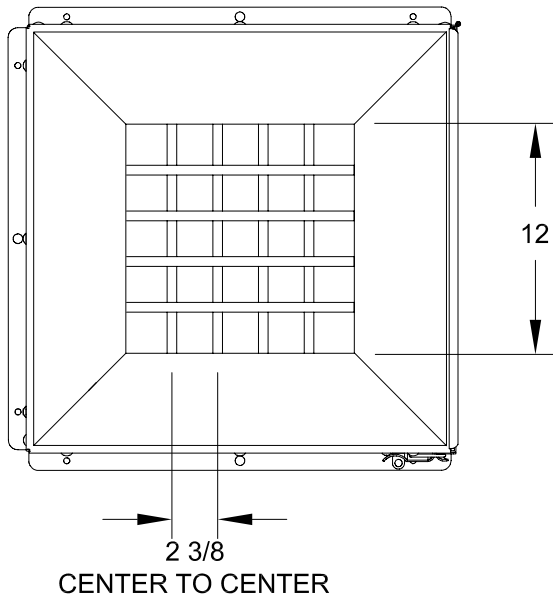
- Two anchoring systems
- Padlock
- Galvanized steel can liner
- Grate and Grill Scraper
- Galvanized steel collection pail

R.J. THOMAS MFG. CO., INC.

P.O. Box 946 • Cherokee, IA 51012-0946 • PH: 712-225-5115 • 800-762-5002 • FAX: 712-225-5796

E-mail: pilotrock@rjthomas.com • Web Site: <http://www.pilotrock.com>

© 2005 R. J. Thomas Mfg. Co., Inc. PILOT ROCK® Park Equipment is a registered trademark of R. J. Thomas Mfg. Co., Inc.



ALL DIMENSIONS IN INCHES

R.J. **THOMAS MFG.**
Co., Inc.
P.O. Box 946
Cherokee, IA 51012

TITLE MODEL HCB/B-1 HOT COAL BIN

DRAWN BY **WWM**

DATE 4-29-05

DWG. NO. **AI-1659**