

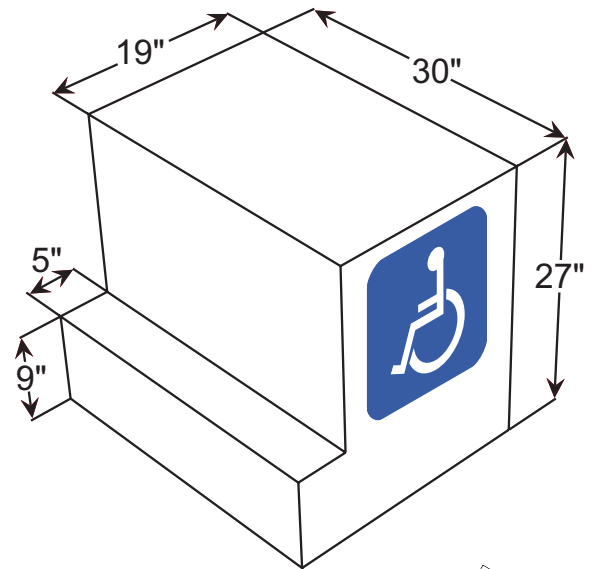
Accessibility Compliance

Compare Picnic Tables for Compliance with ADA Guidelines for Wheelchair Accessibility.

The ADA Guidelines for wheelchair access to picnic tables are as follows*: “Wheelchair spaces shall provide knee space at least 27 inches (685 mm) high, 30 inches (760 mm) wide, and 19 inches (485 mm) deep. Toe clearance 9 inches (230 mm) high minimum shall extend an additional 5 inches (127 mm) minimum from the knee clearance.” And “Toe clearance shall be 30 inches (760 mm) wide minimum.”

These dimensions create a Clearance Box that must fit under the picnic table to be an ADA compliant table. Many popular tables are not compliant.

Below are some illustrations of Pilot Rock brand tables and other brand tables. We have installed our ADA Clearance Box under each table to see if it meets the access requirements. Judge for yourself.



The ADA Clearance Box built to the required dimensions, including knee and toe clearances, approaches a **Pilot Rock** W Series Universal Access picnic table.



The ADA Clearance Box fits completely underneath the W Series table end. This **Pilot Rock** table provides all the required vertical and horizontal knee and toe clearances. (Note: this unique table design is covered under 6 patents.)



Pilot Rock UT and XT Series tables with a two-foot extended top (denoted by “E” in the model number) provides more than enough knee/toe space under the top to comply with ADA.



Pilot Rock AT Series A-frame tables are available with a top extended one foot at each end. This provides adequate knee clearance under the table top, and the A-frame space provides the toe clearance needed to meet the guidelines.



This traditional steel frame table claims to be wheelchair accessible with an 8 ft. top centered on 6 ft. frames (top extended one foot at each end). Many different brands offer this top/seat configuration as “accessible”.

But the Clearance Box doesn't fit! There is not enough knee clearance (19") and toe clearance (plus 5" = 24" total) to provide complete wheelchair access under the table top. This table design does NOT comply with ADA.



The manufacturer of this table claims “universal access” but notice that the ADA Clearance Box does not fit completely under the top. The frames get in the way of the required 5" x 9" x 30" toe clearance space, so it does not provide total wheelchair access under the table. This table design does NOT comply with ADA.



This table brand does provide enough knee and toe clearance under the top to meet ADA guidelines. But the inadequate frame design (less than transverse frame angle bends) and the light weight materials used to construct the frames and top/seats create instabilities in this table which make it a problem for the public to use safely.



* According to the Federal Register, dated June 20, 2007, Part II Architectural and Transportation Barriers Compliance Board, the ADA Guidelines to wheelchair clearances to picnic tables access is described on Page 27, Part T306.4 and Page 41, T404.2.5.

For more information on the “Architectural and Transportation Barriers Compliance Board” Federal Register contact: Bill Botten, Office of Technical and Information Services, Architectural and Transportation Barriers Compliance Board, 1331 F St. NW Suite 1000, Washington, DC 20004-1111. Ph: 202-272-0014; e-mail: botten@access-board.gov; web site www.access-board.gov.