



**Model BE60/CU-3PD34** Surface Mount Bench Extension  
with Blue Powder Coat Frames, 3 Ft. long  
with Weathered Redwood Recycled Plastic 3" x 4" Timbers.  
(Shown with Model B60/CU-3PD34 Bench.)

- **Comfortable seat design may be accessed from either side**
  - **Designed to join easily with Model B60 benches to make longer benches with additional armrests**
  - **Wide curves at the corners of the frames also serve as comfortable armrests**
  - **Sturdy, formed and welded steel frame construction**
  - **Powder Coat frame finish**
  - **Precision drilled 100% Recycled Plastic 3" x 4" Timbers**
  - **Quality construction throughout**
- 
- **Model BE60-3** shall be a nom. 3 ft. in length.
  - **Model BE60-4** shall be a nom. 4 ft. in length.
  - **Model BE60** bench extensions shall be used with Model B60 3 and 4 ft. benches. Multiple extensions can be added to create any length of bench in 3 and 4 ft. increments. The extension frame replaces one bench end frame which is then moved to the end of the extension. (For information on Model B60 benches refer to Specification Bulletin SPC-BC-074.)
  - **Model BE60** extension frames shall be one-piece welded construction with frame to meet 2" nominal steel pipe size specifications (2-3/8" O.D.) and each corner to be formed on a nominal 6" centerline radius. Two seat brackets shall be constructed of 3-1/8" x 2" x 7 Ga die-formed steel angle with holes to mount six 3" x 4" timbers.
  - Benches shall be permanently surface mounted using 9/16" dia. holes provided in each base plate for use with concrete anchors (anchors not included).
  - **Standard:** Frames shall be finished in Black powder coat (indicated by "/CB" in model no.).
  - **Standard:** Seats shall be made of 100% Recycled Plastic molded into 3" x 4" nominal sized timbers with solid Cedar color (indicated by "PC" in model no.) formed throughout and a U.V. stabilizer added for ultra-violet protection. All timbers shall be precision drilled for fast, easy assembly and all edges shall have a molded 3/8" radius with a bullnose profile timber used on outside positions.
  - All 3/8" dia. galvanized carriage bolts and nuts shall be provided to fasten frames to lumber.
  - **Optional:** Color choices of powder coated steel frame components. For optional colors choices see Specification Bulletin # SPC-CO-001.
  - **Optional:** Color choices of Recycled Plastic components. For optional colors choices see Specification Bulletin # SPC-CO-001.

---

#### AVAILABLE OPTIONS

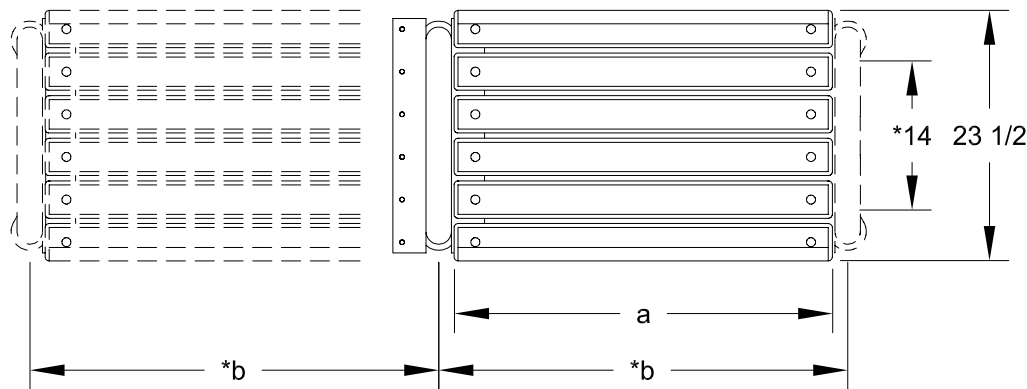
---

- 3' or 4' models
- Choice of colors of Powder Coat Finish on steel frame components
- Choice of colors of Recycled Plastic Custom Lettering and Plaques available (call for details)

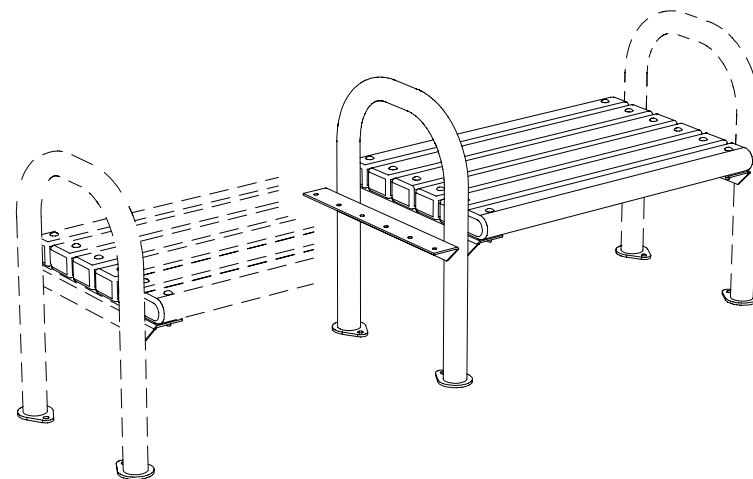
**R.J. THOMAS MFG. CO., INC.**

P.O. Box 946 • Cherokee, IA 51012-0946 • PH: 712-225-5115 • 800-762-5002 • FAX: 712-225-5796  
E-mail: [pilotrock@rjthomas.com](mailto:pilotrock@rjthomas.com) • Web Site: <http://www.pilotrock.com>

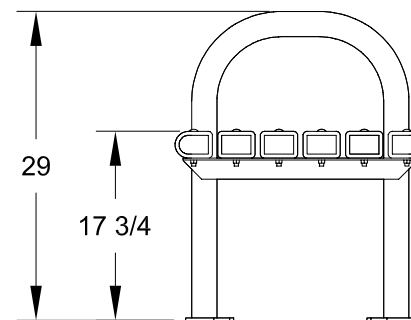
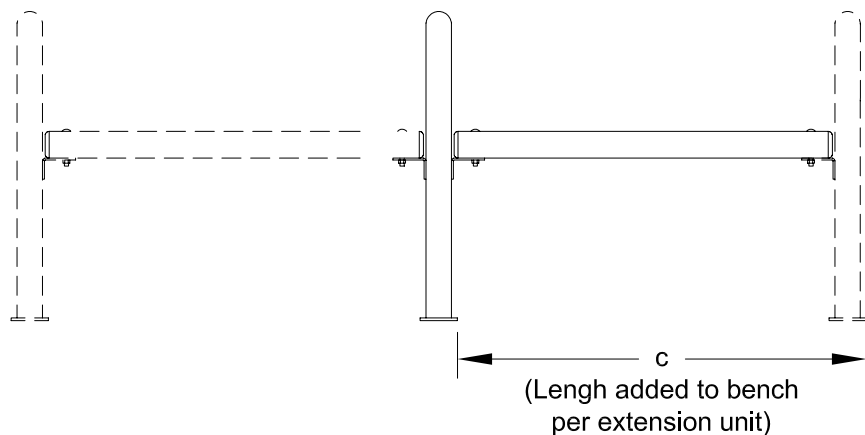
© 2004 R. J. Thomas Mfg. Co., Inc. PILOT ROCK® Park Equipment is a registered trademark of R. J. Thomas Mfg. Co., Inc.



\*CTR TO CTR OF MOUNTING HOLES



MODEL NUMBER	DIMENSION		
	a	*b	c
BE60-3	35 1/2	38 3/8	38 3/8
BE60-4	47 1/2	50 3/8	50 3/8



ALL DIMENSIONS IN INCHES

R. J. **THOMAS MFG. Co., INC.**  
P.O. Box 946 • Cherokee, IA 51012

DRAWN BY  
**WWM**

TITLE RIVERVIEW SERIES MODEL; BE60 3 AND 4 FOOT FLAT SURFACE MOUNT BENCH EXTENSIONS WITH 3" X 4" RECYCLED PLASTIC TIMBERS (SHOWN WITH RIVERVIEW SERIES MODEL B60 BENCH IN PHANTOM)

DATE 2-09-04

DWG. NO. **AI-1556**