



Model FA-30/9/AL Campfire Cooksite

- **Flanged firering for strength and safety**
- **Patented, infinitely adjustable cooking grate**
- **Structurally reinforced grate is virtually indestructible**
- **Grate tips back for fire building**
- **Unique handle design allows easy positioning of grate and keeps handle grips outside of firering**
- **Public use-type spring grips of coiled steel bar**
- **Three fire barrier heights available**
- **Angle spade anchors provide permanent location**
- **“Bottomless” design installs without concrete pad**
- **Utility shelf option**
- **Quality construction throughout**

SPECIFICATIONS:

- **Model FA-30/7/AL** shall have a 7-3/8" high fire barrier. 32" overall dia. ring shall be constructed from 3/16" thick steel with a formed (NOT WELDED) 1" flanged lip around the top of the ring and 9/16" dia. draft holes spaced around the bottom perimeter.
- **Model FA-30/9/AL** shall have a 9" high fire barrier. 32" overall dia. ring shall be constructed from 3/16" thick steel with a formed (NOT WELDED) 1" flanged lip around the top of the ring and 1" dia. draft holes spaced around the bottom perimeter.
- **Model FA-30/11/AL** shall have a 11-3/8" high fire barrier. 32" overall dia. ring shall be constructed from 3/16" thick steel with a formed (NOT WELDED) 1" flanged lip around the top of the ring and 1" dia. draft holes spaced around the bottom perimeter.
- 270 sq. in. grate shall be constructed from 5/8" dia. A-36 steel bars around the perimeter, 3/4" dia. A-36 steel bars for the handles and 1/2" dia. A-36 steel bars to provide the grate surface. Grate shall be secured to firering by two vertical 3/4" dia. A-36 steel bars that shall allow 7" of infinite adjustment within and above the ring and shall tip back for fire building.
- Grate shall be structurally reinforced to withstand the weight of two or more people standing on it without permanently deforming or bending.
- Grate shall be provided with two adjusting handles with substantial spring grips suitable for public use made from 1/8" x 1/2" steel flat bar that shall remain outside the fire barrier at all positions.
- Ring shall be provided with three heavy anchors of 1-3/4" x 1-3/4" x 3/16" A-36 steel angle with welded-on spades of 1/8" thick steel to permanently anchor unit to ground (indicated by /AL in model no.).
- Entire unit shall be finished in high temperature, heat resistant, nontoxic black enamel.
- **Optional:** Firering shall be provided with a 3/16" x 7-1/8" x 9-5/8" steel plate utility shelf. (Add /S to model no. Ex.: FA-30/7/AL/S.)

Patent Nos. 4,403,596 and D276,302

AVAILABLE OPTIONS

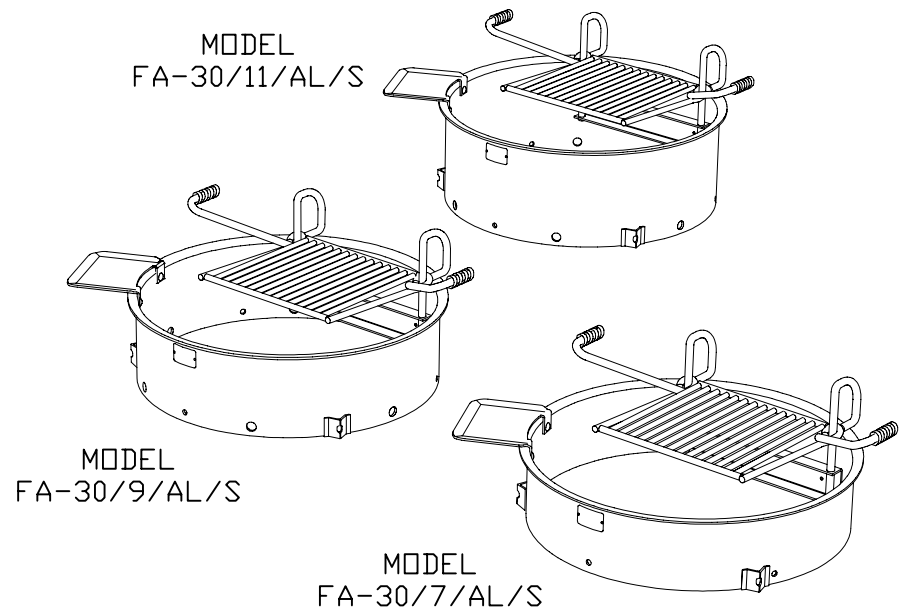
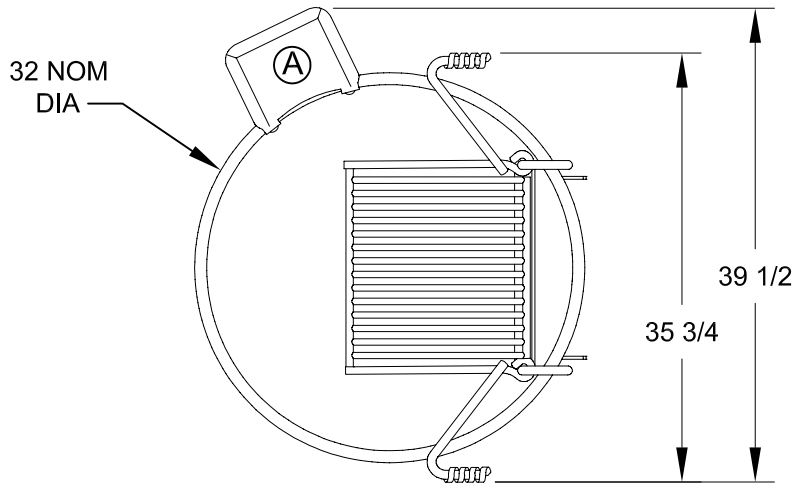
Utility Shelf

R.J. THOMAS MFG. CO., INC.

P.O. Box 946 • Cherokee, IA 51012-0946 • PH: 712-225-5115 • 800-762-5002 • FAX: 712-225-5796

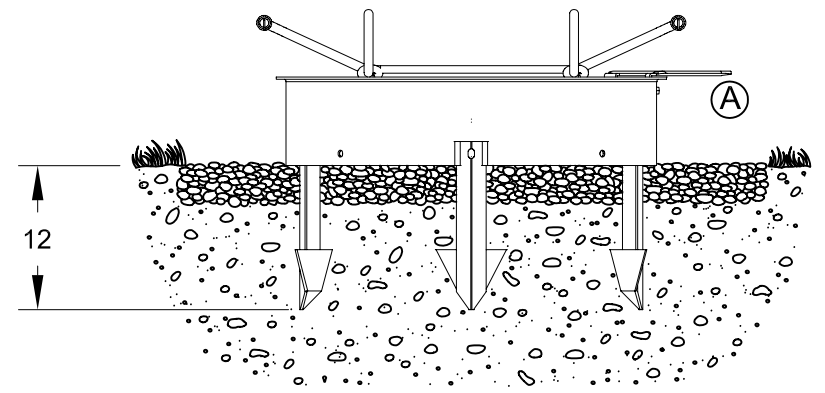
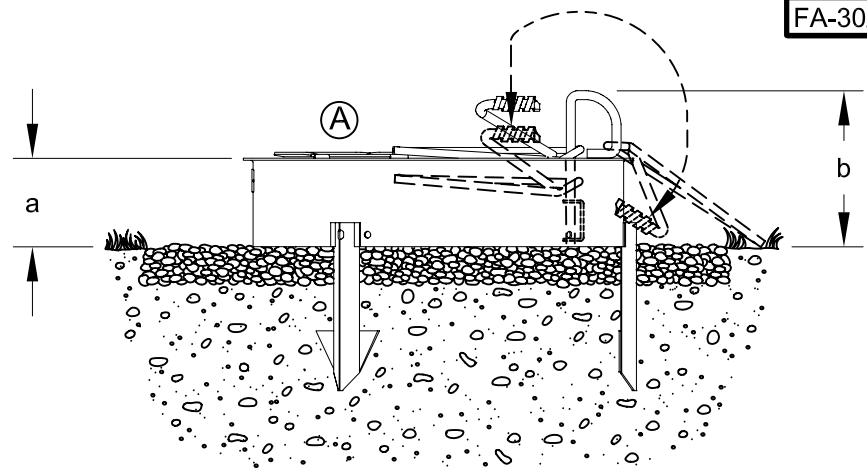
E-mail: pilotrock@rjthomas.com • Web Site: <http://www.pilotrock.com>

© 2002 R. J. Thomas Mfg. Co., Inc. PILOT ROCK® Park Equipment is a registered trademark of R. J. Thomas Mfg. Co., Inc.



(A) OPTIONAL UTILITY SHELF - ADD /S TO MODEL NUMBER

MODEL NUMBER	DIMENSION	
	a	b
FA-30/7/AL	7-3/8	13
FA-30/9/AL	9	14-5/8
FA-30/11/AL	11-3/8	17



ALL DIMENSIONS IN INCHES

R. J. THOMAS MFG. CO., INC. P.O. Box 946 • Cherokee, IA 51012	DRAWN BY WWM	TITLE FA-30 SERIES CAMPFIRE COOKSITE WITH ANGLE SPADE ANCHORS; 3 MODELS WITH 3 SIDE HEIGHTS -SHOWN WITH OPTIONAL UTILITY SHELF	DATE 9-18-06
			DWG. NO. AI-1429