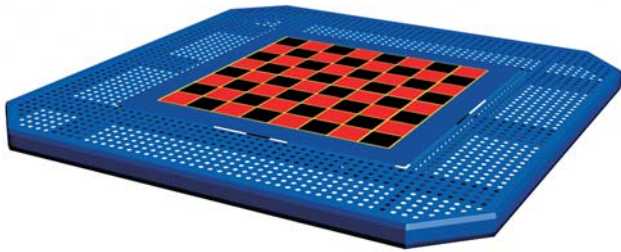


Game Board Table Tops for Round and Square Tables with Expanded or Perforated Steel



48" dia. Round, Black Plastisol Coated, Expanded Steel Game Board Table Top with game board insert.



48" Square, Blue Plastisol Coated, Perforated Steel Game Board Table Top with game board insert.

SPECIFICATIONS:

- The Game Board Table Top shall replace the standard top for the square and round tables with expanded or perforated steel (add /GT to the end of the table model no., e.g. T104/CB-4DB/GT).
Square Game Board Table Top shall be available on SQT-4 and PQT-4 square table models with 48" square tops.
Round Game Board Table Top shall be available on T100, T200, T300, and T400 round table models.
- The Game Board Table Top shall be constructed with the same design and materials as standard square and round table tops. Tops shall feature a square opening to allow the steel Game Board Insert panel to be mounted flush with the table top surface.
- The Game Board Insert panel shall be constructed of formed 14 ga. steel. The Insert panel shall be designed to bolt into the square opening in the table top.
- The Game Board Insert steel panel shall be finished with a baked on, polyester powder coat in a color to closely match the color of the vinyl plastisol coated expanded or perforated steel table top.
- The vinyl game board decal shall be applied to the finished Game Board Insert panel and sealed with a clear coat finish.
- **Standard:** Vinyl game board decal shall be a standard checker board pattern with red and black squares.
- **Optional:** Color choices of plastisol coated steel table top. For optional color choices see Specification Bulletin #SPC-CO-001.

- **Game Board Table Tops available for square and round tables with plastisol coated expanded or perforated steel**
- **Game Board Insert mounts flush with table top surface**
- **Red and Black Checker Board pattern Game Decal sealed with clear coat finish**

AVAILABLE OPTIONS

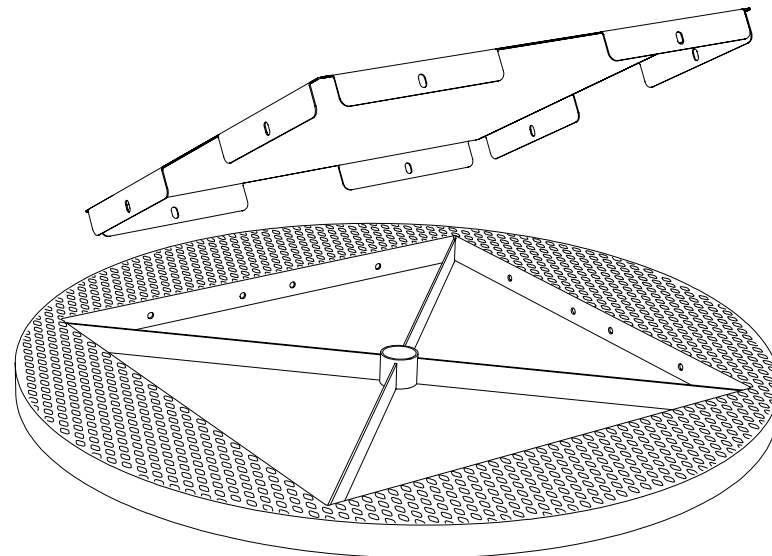
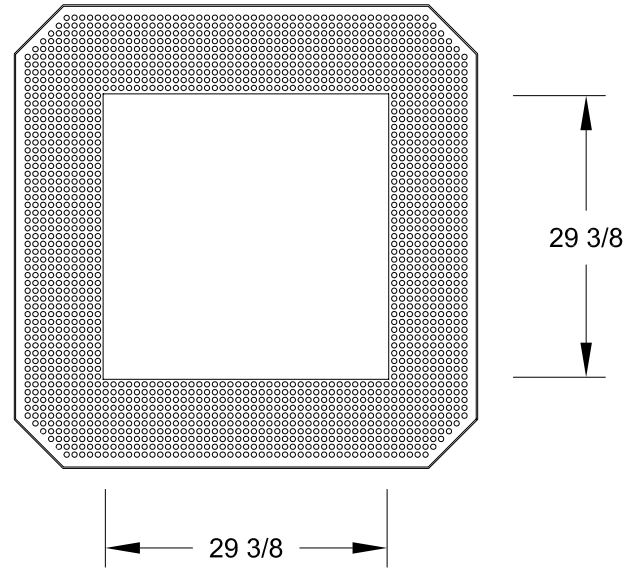
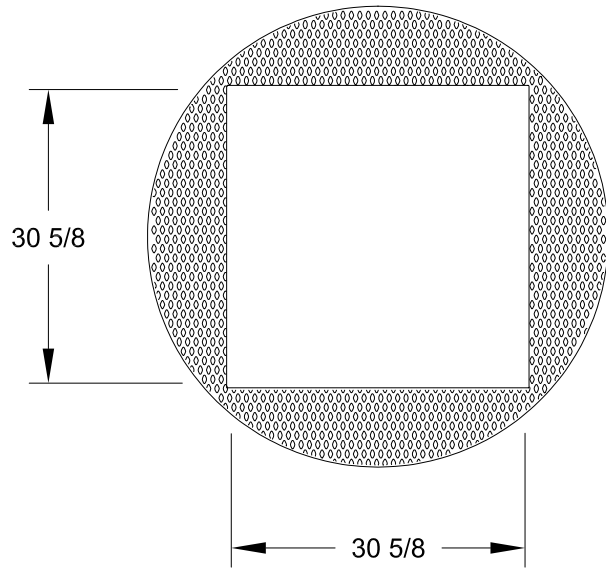
Choice of colors of Plastisol Coating for table tops

R.J. THOMAS MFG. CO., INC.

P.O. Box 946 • Cherokee, IA 51012-0946 • PH: 712-225-5115 • 800-762-5002 • FAX: 712-225-5796

E-mail: pilotrock@rjthomas.com • Web Site: <http://www.pilotrock.com>

© 2007 R. J. Thomas Mfg. Co., Inc. PILOT ROCK® Park Equipment is a registered trademark of R. J. Thomas Mfg. Co., Inc.



ALL DIMENSIONS IN INCHES

R. J. **THOMAS MFG. Co., INC.**
 P.O. Box 946 • Cherokee, IA 51012

DRAWN BY
WWM

TITLE **OPTIONAL 48" SQUARE AND ROUND GAME BOARD TABLE TOPS FOR TABLES
 WITH PLASTISOL COATED EXPANDED OR PERFORATED STEEL TOP AND SEATS**

DATE **2-015-07**

DWG. NO. **AI-1760**