



*Model SS/P/CY-1 Smoker's Stack with Base Plate.
Finished in Yellow Powder Coat.*

Shown on right with inner collection tube removed for cleaning.

- **Heavy gage all steel construction**
- **Anchors permanently in location**
- **Opening accepts tobacco products but restricts deposit of trash**
- **Removable inner collection tube for easy cleaning**
- **Durable powder coat finish**

SPECIFICATIONS:

- **Model SS/P-1** Smoker's Stack shall be constructed of a 4" x 4" x 36" 14 ga. steel square outer tube with a welded 8" x 8" x 10 ga. steel base plate with four 7/16" dia. holes for anchoring to hard surfaces (anchor bolts included) and a 3-1/2" dia. x 11 ga. x 34" steel inner collection tube with a 14 ga. formed and welded rain hood.
- Overall height shall be 40" (nom).
- The inner collection tube shall be secured into the outer tube by means of a 3/8" -16UNC x 1" socket head cup point set screw. A 3/16" hex key wrench shall be provided for this set screw. A 1-1/4" x 1-1/4" x 3/16" x 1" angle iron welded to the inner tube shall prevent the tube from rotating when secured in place.
- The rain hood of the inner tube shall allow easy depositing of tobacco product waste but restrict the depositing of other non-tobacco waste items.
- The inner tube shall have two 5/16" dia. holes near the bottom of the tube and the base plate of the outer tube shall have one 25/32" dia. hole in the center to provide drainage.
- A decal indicating the intended use of the Smoker's Stack will be included.
- **Standard:** The outer and inner tubes shall be a yellow powder coat finish (indicated by "CY" in model no.).
- **Optional:** Color choices of powder coated steel frame components. For optional colors choices see Specification Bulletin # SPC-CO-001.

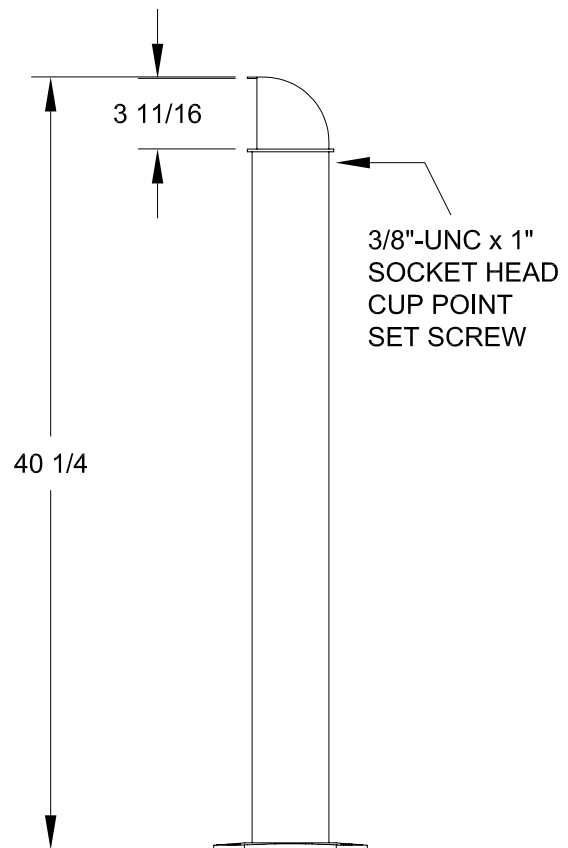
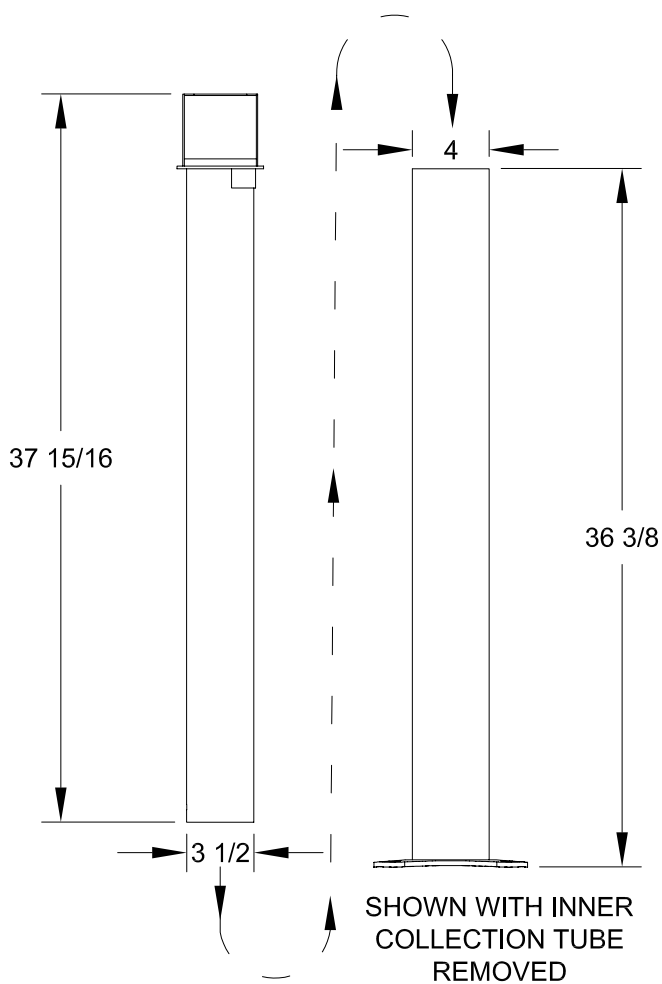
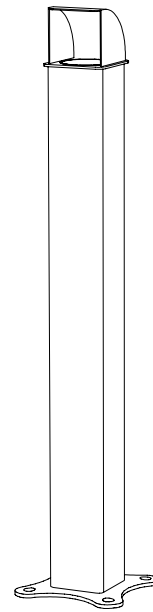
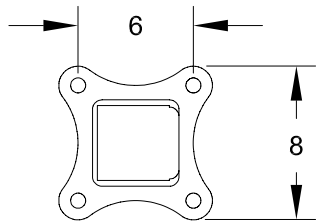
AVAILABLE OPTIONS

Powder Coat Finish in choice of colors steel frame components

R.J. THOMAS MFG. CO., INC.

P.O. Box 946 • Cherokee, IA 51012-0946 • PH: 712-225-5115 • 800-762-5002 • FAX: 712-225-5796
E-mail: pilotrock@rjthomas.com • Web Site: <http://www.pilotrock.com>

© 2005 R. J. Thomas Mfg. Co., Inc. PILOT ROCK® Park Equipment is a registered trademark of R. J. Thomas Mfg. Co., Inc.



ALL DIMENSIONS IN INCHES

R.J. **THOMAS MFG.**
Co., Inc.
P.O. Box 946
Cherokee, IA 51012

TITLE MODEL SS/P-1 SMOKER'S STACK TOBACCO WASTE DIPOSAL STAND

DRAWN BY **WWM**

DATE 4-28-05

DWG. NO. **AI-1658**