



*Model TRH/G-32PY24 Trash Receptacle Holder, Hot Dip Galvanized steel frame rings and Yellow Recycled Plastic 2" x 4" slats. Shown with Model CN-PD/R-27 Red Plastic Dome Hatch Lid*

- **32 gallon capacity**
- **Welded Steel Frame Ring Fabrication**
- **100% Recycled Plastic slats with solid color and U.V. stabilizer for ultraviolet protection**
- **Large choice of color, lid, liner, and mounting options**

### **SPECIFICATIONS:**

- **Model TRH-32 Series** trash receptacle holders shall be designed to hold most commercially available 30 to 32 gal. garbage containers.
- **Model TRH-32** frames shall be a set of two welded rings. Top ring shall be constructed from 10 ga. x 2-3/8" formed steel angle rolled, flanged inward, to a 22-5/32" I.D. circular ring. Base ring shall be constructed from 10 ga. x 2" formed steel angle rolled, flanged outward, to a 22-7/16" I.D. circular ring, reinforced with die-formed cross braces of 10 ga. x 2" steel bar.
- Galvanized carriage bolts and nuts shall be provided to fasten slats to frame rings.
- Assembled receptacle shall be a nominal 30" high.
- **Standard:** Rings shall be hot-dip galvanized after fabrication to ASTM-A123 to maintain an average zinc coating of 2.0 oz. per sq. ft. of surface area (indicated by "/G" in model no.), e.g. TRH/G-32PC24.
- **Standard:** Slats shall be made of 100% Recycled Plastic molded into 2" x 4" nominal sized planks with solid Cedar color (indicated by "PC" in model no.) formed throughout and a U.V. stabilizer added for ultra-violet protection.
- All slats shall be precision drilled for fast, easy assembly and shall have all exposed edges removed to a 3/8" radius.
- **Optional:** Frame components shall be painted with black enamel finish. To specify, change "/G" in model no. to "/B", e.g. TRH/B-32PC24.
- **Optional:** Color choices of Recycled Plastic components. For optional colors choices see Specification Bulletin # SPC-CO-001.
- **Optional:** Plastic slats shall be available in nominal 1" x 4" slats. To specify, change "24" in model no. to "14", e.g. TRH/G-32PC14.

### **LID OPTIONS**

- **Model CN-PD/◆-24** Pilot Rock Plastic Dome Hatch Lid
- **Model CN-PD/◆-27** Pilot Rock Plastic Dome Hatch Lid
- **Model CN-PD/◆-24PC1** Molded Plastic Recycling lid, solid "door" panel, 3" dia. opening
- **Model CN-PD/◆-27PC1** Molded Plastic Recycling lid, solid "door" panel, 3" dia. opening
- **Model CN/◆-4455** Plastic Dome Hatch Lid
- **Model CN/G-5555** Galvanized Steel Dome Hatch Lid
- **Model CN/◆-1855** Powder-Coated Enamel Steel Dome Hatch Lid
- **Model T◆-24X** Flat Steel Lid
- **Model T◆-24** Flat Steel Lid, spring-loaded 10" dia. Hatch
- **Model T◆-24PC** Series Flat Steel Recycling Lids, 3" dia. opening, 4-3/8" dia. opening, or 5-7/8" dia. opening
- **Model T/◆-2410** Flat Steel Lid, 10" opening
- **Model T/◆-2410R** Flat Steel Lid, 10" opening and rain cover
- **Model T/◆-2410A** Flat Steel Lid, 10" opening, rain cover and ashtray
- **Model T/◆-246** Recycling Lid, flat, Plastisol Coated Steel, 5-3/4" dia. opening
- **Model CN/B-1825** Flat Molded Plastic Lid, 10" center opening
- **Model CN/B-55FT** Flat Molded Plastic Lid, 15" center opening
- **Model CN/B-3030** Black Molded Plastic Canopy Lid, openings at each end
- **Model CN-PR/◆-24PC** Series Recycled Plastic Flat Lids, 3" dia. opening, 4-3/8" dia. opening, or 5-7/8" dia. opening
- **Model CN-SDR/◆-27PC1** Dome Hatch Lid, square door

◆ Indicates choice of finish or color — Inquire for specific model options

### **MOUNTING OPTIONS**

- Model M1G** Strap Anchor Mount: ground level concrete embedded installation
- Model M2/G** Embedded Pedestal Mount: elevated concrete embedded installation
- Model M3/G** Surface Pedestal Mount: elevated base plate on concrete installation
- Model M6/B** Surface Ground Anchors: four steel rod anchors for temporary location in lawns or on soft dirt.

### **CAN AND LINER OPTIONS**

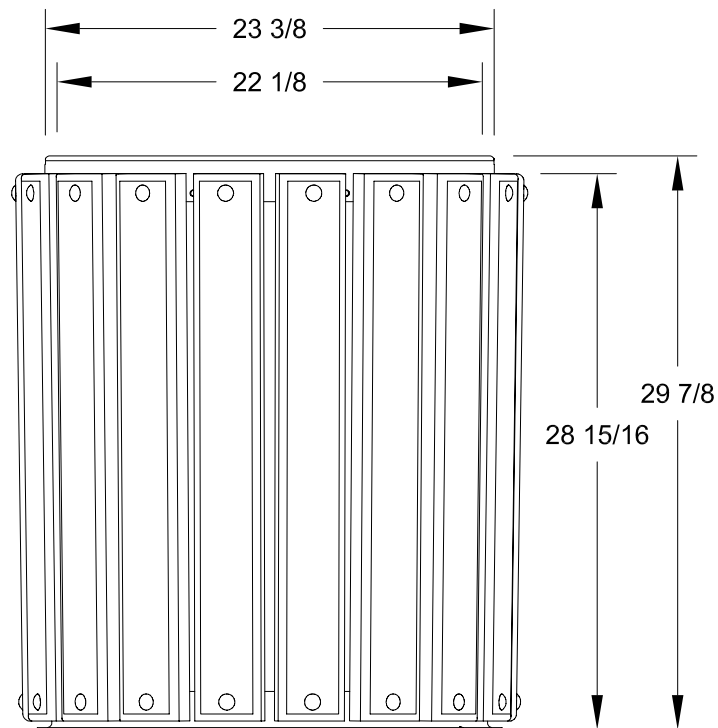
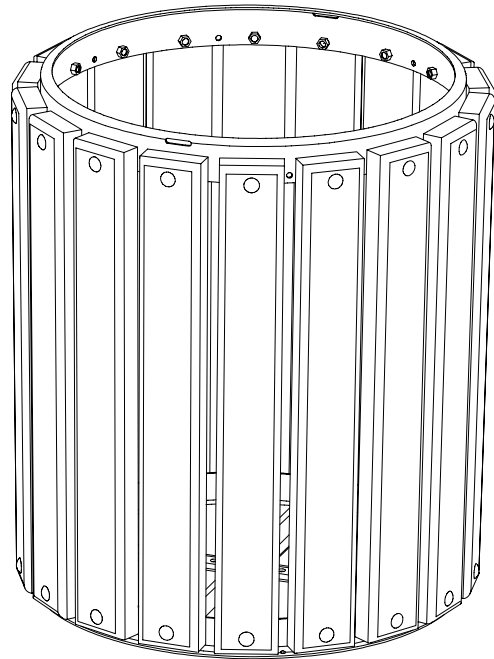
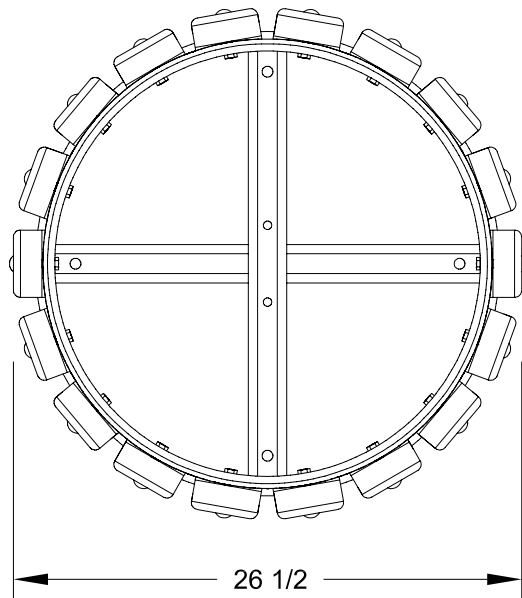
- Model CNG-2310CL:** Regular-duty, 31 gal. capacity, galvanized steel can with lid
- Model CN/B-1827:** 36 gal. capacity, heavy-duty, rigid plastic liner
- Model CN-4132CL:** 30 gal. capacity, plastic liner with lid
- Model CN-32NRB:** 23" dia. x 25" deep reusable soft vinyl bag liner

**R.J. THOMAS MFG. CO., INC.**

**P.O. Box 946 • Cherokee, IA 51012-0946 • PH: 712-225-5115 • 800-762-5002 • FAX: 712-225-5796**

**E-mail: pilotrock@rjthomas.com • Web Site: http://www.pilotrock.com**

© 2004 R. J. Thomas Mfg. Co., Inc. PILOT ROCK® Park Equipment is a registered trademark of R. J. Thomas Mfg. Co., Inc.



ALL DIMENSIONS IN INCHES

R. J. **THOMAS MFG.**  
**Co., Inc.**  
 P.O. Box 946  
 Cherokee, IA 51012

TITLE TRH-32 SERIES ROUND TRASH AND RECYCLING RECEPTACLE  
 HOLDER WITH 2 X 4 INCH RECYCLED PLASTIC SLATS

DRAWN BY **WWM**

DATE 11-22-05

DWG. NO. **AI-1703**