



*Model CN-AMR/CN-32 Amherst
Round Trash Receptacle Holder
with Green powder coat finish.
Shown with Model T/CN-2410R Green
powder coated Steel Lid with Rain Cover*

- **32 gallon capacity**
- **Welded Steel Fabrication**
- **Large choice of lid, liner, and mounting options**

SPECIFICATIONS:

- **Model CN-AMR-32 Series** trash receptacle holders shall be designed to hold most commercially available 30 to 32 gal. garbage containers.
- **Model CN-AMR-32** trash receptacle holders shall be a single welded construction of alternating vertical 1-1/2" and 3" wide 10 ga. steel straps and horizontal 3" wide 10 ga. bands that form a round container with a flared top with a formed 1" dia. round tube ring to provide strength and a safe top edge. Base shall be reinforced with die-formed cross braces of 10 ga. x 2" steel bar which facilitates anchoring of receptacle holder to ground surfaces and optional elevated mounting kits.
- Receptacle shall be a nominal 33" high.
- **Standard:** Receptacle holder shall have a green powder coat finish (indicated by "/CN" in model no.).
- **Optional:** For optional colors choices see Specification Bulletin # SPC-CO-001.

LID OPTIONS

- **Model CN-PD/◆-24** Pilot Rock Plastic Dome Hatch Lid
- **Model CN-SDR/◆-24** Pilot Rock Plastic Dome Hatch Lid
- **Model CN/◆-4455** Plastic Dome Hatch Lid
- **Model CN/G-5555** Galvanized Steel Dome Hatch Lid
- **Model CN/◆-1855** Powder-Coated Enamel Steel Dome Hatch Lid
- **Model T◆-24X** Flat Steel Lid
- **Model T◆-24** Flat Steel Lid with a spring-loaded 10" dia. Hatch
- **Model T◆-24PC** Series Flat Steel Recycling Lids with 3" dia. opening, with 4-3/8" dia. opening, or with 5-7/8" dia. opening
- **Model T/◆-2410** Flat Steel Lid with 10" opening
- **Model T/◆-2410R** Flat Steel Lid with 10" opening and rain cover
- **Model T/◆-2410A** Flat Steel Lid with 10" opening, rain cover and ashtray
- **Model CN/B-1825** Flat Molded Plastic Lid with 10" center opening
- **Model CN/B-55FT** Flat Molded Plastic Lid with 15" center opening
- **Model CN/B-3030** Black Molded Plastic Canopy Lid with openings at each end
- **Model CN-PD/◆-24PC1** Pilot Rock Plastic Dome Recycling Lid with 3" dia. opening
 - ◆ Indicates choice of finish or color — Inquire for specific model options

MOUNTING OPTIONS

- Model M1G** Strap Anchor Mount: ground level concrete embedded installation
- Model M8/G** Embedded Pedestal Mount: elevated concrete embedded installation
- Model M7/G** Surface Pedestal Mount: elevated base plate on concrete installation
- Model M6/B** Surface Ground Anchors: four steel rod anchors for temporary location in lawns or on soft dirt.

CAN AND LINER OPTIONS

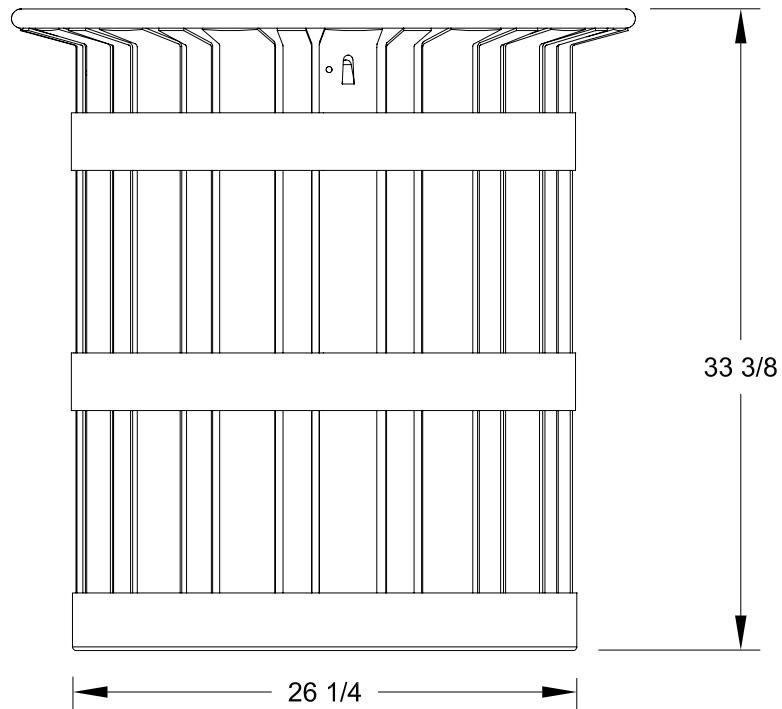
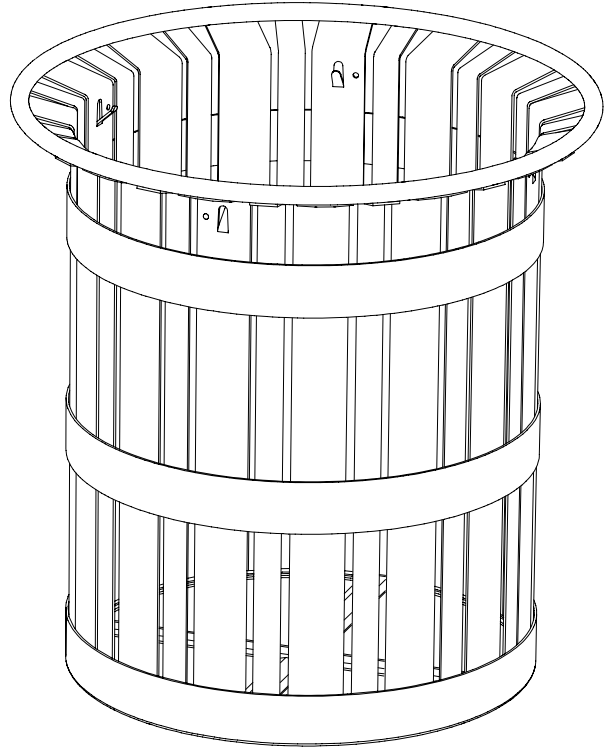
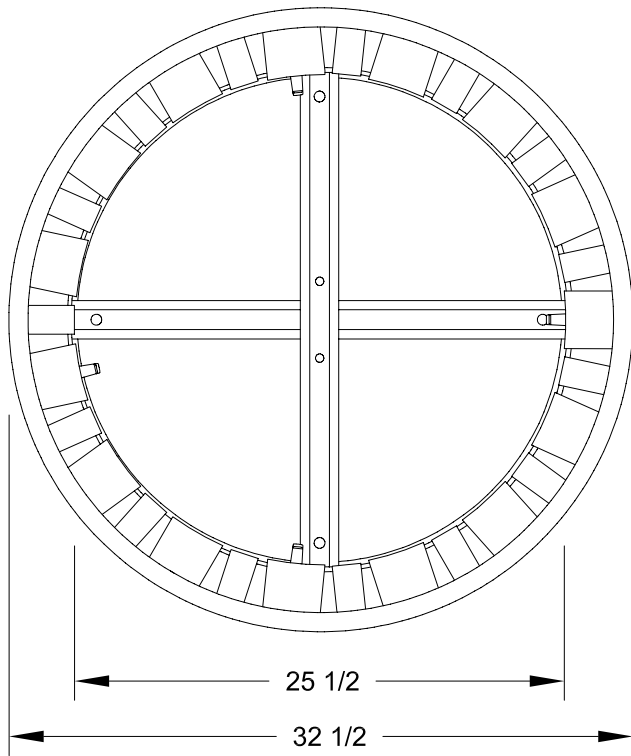
- Model CNG-2310C:** Regular-duty, 31 gal. capacity, galvanized steel can
- Model CN/B-1827:** 36 gal. capacity, heavy-duty, rigid plastic liner
- Model CN-4132C:** 30 gal. capacity, plastic liner
- Model CN-32NRB:** 23" dia. x 25" deep reusable soft vinyl bag liner

R.J. THOMAS MFG. CO., INC.

P.O. Box 946 • Cherokee, IA 51012-0946 • PH: 712-225-5115 • 800-762-5002 • FAX: 712-225-5796

E-mail: pilotrock@rjthomas.com • Web Site: <http://www.pilotrock.com>

© 2004 R. J. Thomas Mfg. Co., Inc. PILOT ROCK® Park Equipment is a registered trademark of R. J. Thomas Mfg. Co., Inc.



ALL DIMENSIONS IN INCHES

R. J. **THOMAS MFG.**
Co., Inc.
 P.O. Box 946
 Cherokee, IA 51012

TITLE AMHERST SERIES MODEL CN-AMR-32
 ROUND TRASH AND RECYCLING RECPACTCLE HOLDER
 WITH STEEL STRAP SLATS

DRAWN BY **WWM**

DATE 01-25-07

DWG. NO. **AI-1754**