



*Model B40C/CB-8PI34 8 Ft. Surface Mount Bench  
with Black Powder Coat Frames  
and Ivory Recycled Plastic 3" x 4" Timbers.*

- **Comfortable seat design may be accessed from either side**
- **Stylish armrest loops integrated into end frames**
- **Sturdy, formed and welded steel frame construction**
- **Powder Coat frame finish**
- **100% Recycled Plastic 3" x 4" Timbers**
- **Quality construction throughout**

---

**SPECIFICATIONS:**

---

- **Model B40C-6** shall be a nom. 6 ft. in length.
- **Model B40C-8** shall be a nom. 8 ft. in length.
- **series** end frames shall be one-piece welded construction with frame leg and foot to meet 1-1/2" nominal steel pipe size specifications (1-7/8" O.D.). Frame foot shall be die-formed with flattened and rounded ends, with a 9/16" dia. anchor hole in each end. Seat bracket shall be constructed of 3/8" x 2-1/2" A-36 flat steel bar with holes to mount four 3" x 4" timbers. The end frames shall include a welded-on circular armrest formed from 1.66" O.D. steel tubing.
- Benches shall be permanently surface mounted using 9/16" dia. holes provided in each frame foot for use with concrete anchors (anchors not included).
- Bench shall be provided with a center frame for additional support (indicated by "B40C" in model no., e.g. B40C/CB-3PC34). Center frame does not have armrest.
- **Standard:** Frames shall be finished in Black powder coat (indicated by "/CB" in model no., e.g. B40C/CB-3PC34).
- **Standard:** Seats shall be made of 100% Recycled Plastic molded into 3" x 4" nominal sized timbers with solid Cedar color (indicated by "PC" in model no., e.g. B40C/CB-3PC34) formed throughout and a U.V. stabilizer added for ultra-violet protection. All timbers shall be precision drilled for fast, easy assembly and all edges shall have a molded 3/8" radius with a bullnose profile timber used on outside positions.
- All galvanized fasteners shall be provided for assembly.
- **Optional:** Color choices of powder coated steel frame components. For optional colors choices see Specification Bulletin #SPC-CO-001.
- **Optional:** Color choices of Recycled Plastic components. For optional colors choices see Specification Bulletin #SPC-CO-001.

---

**AVAILABLE OPTIONS**

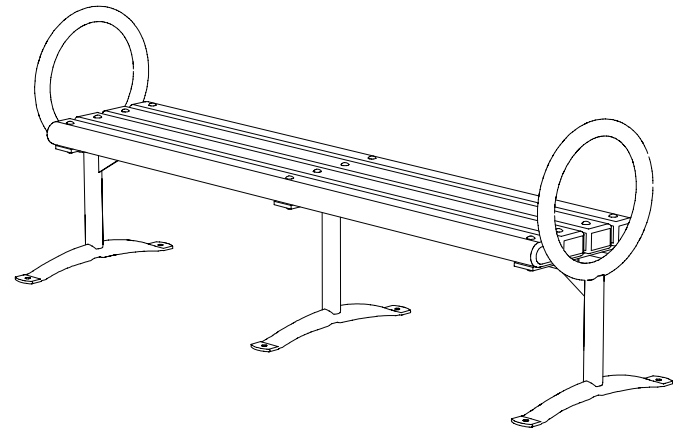
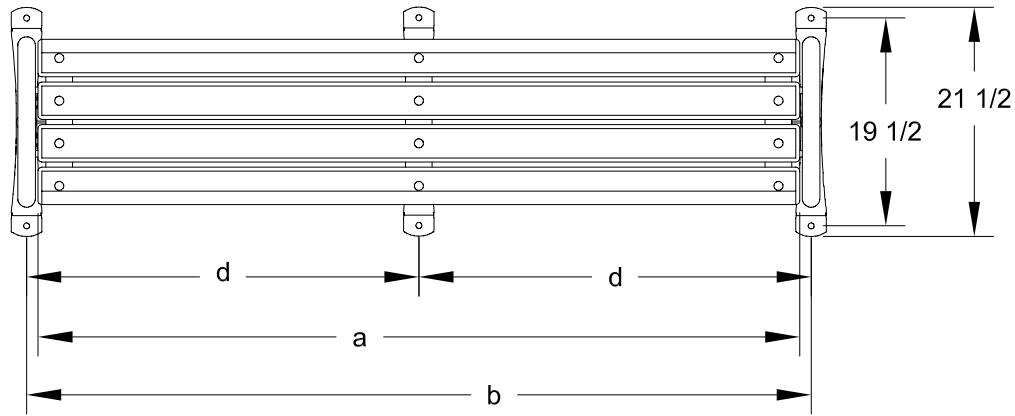
---

- **6' or 8' models**
- **Choice of colors of Powder Coat Finish on steel frame components**
- **Choice of colors of Recycled Plastic**
- **Custom Lettering and Plaques available (call for details)**

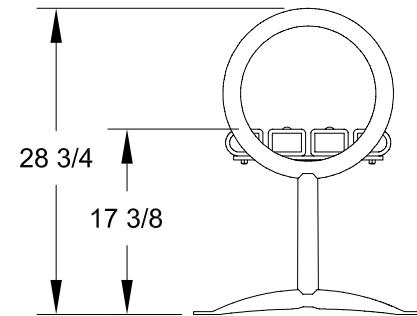
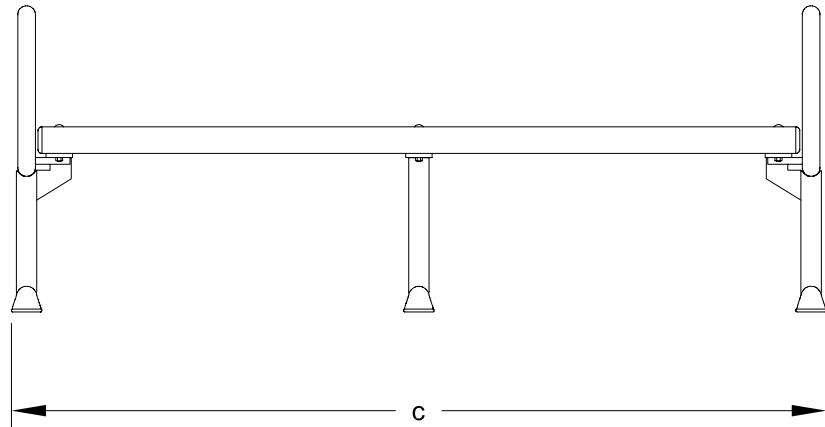
**RJThomas Mfg. Co., Inc.**

PO Box 946 • Cherokee, IA 51012-0946 • PH: 712-225-5115 • 800-762-5002 • FAX: 712-225-5796  
E-mail: pilotrock@rjthomas.com • Web Site: <http://www.pilotrock.com>

© 2008 RJThomas Mfg. Co., Inc. PILOT ROCK® Park Products is a registered trademark of RJThomas Mfg. Co., Inc.



MODEL NUMBER	DIMENSION			
	a	b	c	d
B40C-6	71 1/2	73 5/8	76 1/2	36 13/16
B40C-8	95 1/2	97 5/8	100 1/2	48 13/16



ALL DIMENSIONS IN INCHES

R. J. **THOMAS MFG. CO., INC.**  
P.O. Box 946 • Cherokee, IA 51012

DRAWN BY  
**WWM**

TITLE SILVER SIOUX SERIES MODEL B40C 6 AND 8 FOOT FLAT SURFACE MOUNT BENCH  
WITH 3" x 4" RECYCLED PLASTIC TIMBERS

DATE 8-28-03

DWG. NO. AI-1512