

Model BE40/CW-3PY34 3 Ft. Surface Mount Bench Extension with Brown Powder Coat Frames and Yellow Recycled Plastic 3" x 4" Timbers. (Shown with Model B40/CW-3PY34 Bench.)

- **Comfortable seat design may be accessed from either side**
- **Designed to join easily with Model B40 benches to make longer benches with additional armrests**
- **Stylish armrest loops integrated into extension frames**
- **Sturdy, formed and welded steel frame construction**
- **Powder Coat frame finish**
- **100% Recycled Plastic 3" x 4" Timbers**
- **Quality construction throughout**

SPECIFICATIONS:

- **Model BE40-3** shall be a nom. 3 ft. in length.
- **Model BE40-4** shall be a nom. 4 ft. in length.
- Model BE40 bench extensions shall be used with Model B40 3 and 4 ft. benches. Multiple extensions can be added to create any length of bench in 3 and 4 ft. increments. The extension frame replaces one bench end frame which is then moved to the end of the extension. (For information on Model B40 benches refer to Specification Bulletin #SPC-BC-026.)
- **Model BE40 Series** extension frame shall be one-piece welded construction with frame leg and foot to meet 1-1/2" nominal steel pipe size specifications (1-7/8" O.D.). Frame foot shall be die-formed with flattened and rounded ends, with a 9/16" dia. anchor hole in each end. Two seat brackets shall be constructed of 3/8" x 2-1/2" A-36 flat steel bar with holes to mount four 3" x 4" timbers. The extension frame shall include a welded-on circular armrest formed from 1.66" O.D. steel tubing.
- Extensions shall be permanently surface mounted using 9/16" dia. holes provided in each frame foot for use with concrete anchors (anchors not included).
- **Standard:** Frames shall be finished in Black powder coat (indicated by "/CB" in model no., e. g. BE40/CB-3PC34).
- **Standard:** Seats shall be made of 100% Recycled Plastic molded into 3" x 4" nominal sized timbers with solid Cedar color (indicated by "PC" in model no., e. g. BE40/CB-3PC34) formed throughout and a U.V. stabilizer added for ultra-violet protection. All timbers shall be precision drilled for fast, easy assembly and all edges shall have a molded 3/8" radius with a bullnose profile timber used on outside positions.
- All galvanized fasteners shall be provided for assembly.
- **Optional:** Color choices of powder coated steel frame components. For optional colors choices see Specification Bulletin #SPC-CO-001.
- **Optional:** Color choices of Recycled Plastic components. For optional colors choices see Specification Bulletin #SPC-CO-001.

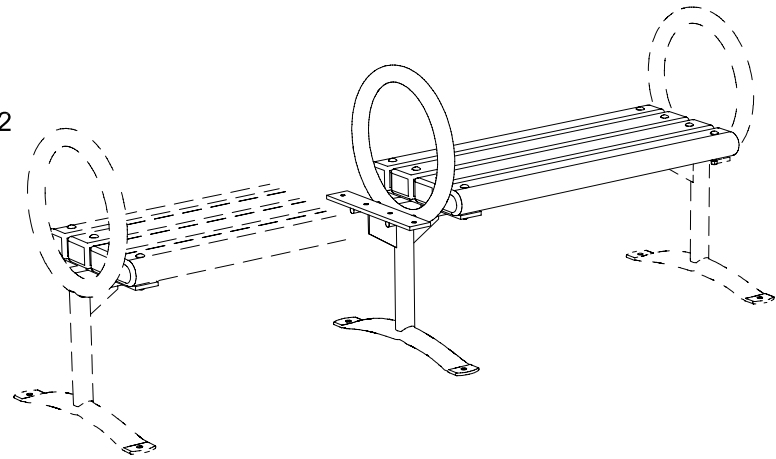
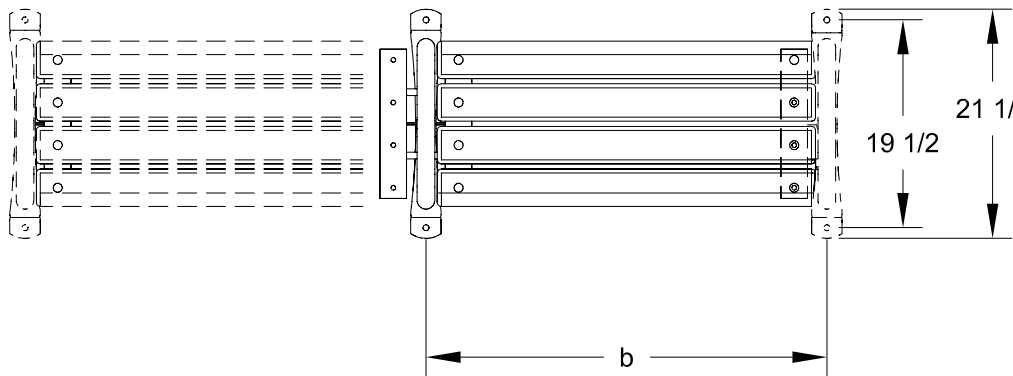
AVAILABLE OPTIONS

- **3' or 4' models**
- **Choice of colors of Powder Coat Finish on steel frame components**
- **Choice of colors of Recycled Plastic**
- **Custom Lettering and Plaques available (call for details)**

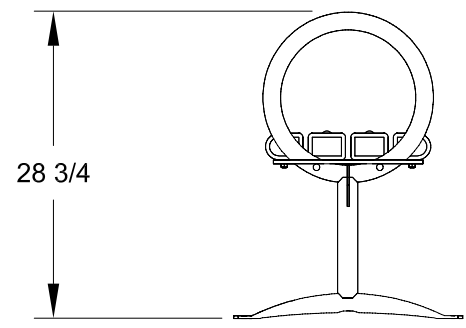
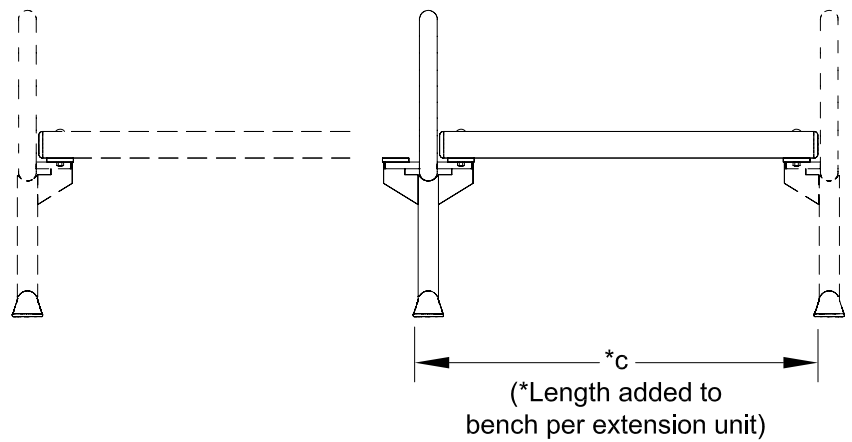
RJThomas Mfg. Co., Inc.

PO Box 946 • Cherokee, IA 51012-0946 • PH: 712-225-5115 • 800-762-5002 • FAX: 712-225-5796
E-mail: pilotrock@rjthomas.com • Web Site: <http://www.pilotrock.com>

© 2008 RJThomas Mfg. Co., Inc. PILOT ROCK® Park Products is a registered trademark of RJThomas Mfg. Co., Inc.



MODEL NUMBER	DIMENSION		
	a	b	c
BE40-3	35 1/2	37 5/8	37 5/8
BE40-4	47 1/2	49 5/8	49 5/8



ALL DIMENSIONS IN INCHES

R. J. **THOMAS MFG. Co., INC.**
 P.O. Box 946 • Cherokee, IA 51012

DRAWN BY
WWM

TITLE SILVER SIOUX SERIES MODEL BE40 3 AND 4 FOOT FLAT SURFACE MOUNT BENCH
 EXTENSION WITH 3" X 4" RECYCLED PLASTIC TIMBERS (SHOWN WITH SILVER SIOUX
 SERIES MODEL B40 BENCH IN PHANTOM)

DATE 1-14-04
 DWG. NO. **AI-1531**