



Model RBB/N-6A26 6 Ft. Surface Mount Bench
with Green Recycled Plastic frames
and Gray Recycled Plastic 2" x 6" planks.
Shown with optional Routed lettering.

- **Constructed from 100% Recycled Plastic with solid color and U.V. stabilizer for ultraviolet protection**
- **Match or mix frames and planks in a choice of colors of Recycled Plastic**
- **Precision drilled plastic planks**
- **Fast, easy assembly using stainless steel screws**

SPECIFICATIONS:

- **Model RBB** benches shall be made from 100% recycled plastic, a combination of post-consumer and post-industrial plastic. Frames shall be a single piece of solid, molded plastic. Planks shall be molded in nominal lumber dimensions.
- **Model RBB-4** shall be a nom. 4 ft. in length with two (2) frames.
- **Model RBB-6** shall be a nom. 6 ft. in length with three (3) frames.
- **Standard:** Frames shall be made of 100% Recycled Plastic molded with solid Brown color (indicated by "/W" in model no.) formed throughout and a U.V. stabilizer added for ultra-violet protection.
- **Standard:** Seat and back planks shall be made of 100% Recycled Plastic molded with solid Cedar color (indicated by "C" in second half of model no.) formed throughout and a U.V. stabilizer added for ultra-violet protection. Planks shall be 2" x 4" nominal size (indicated by "24" at end of model no.)
- Stainless steel Phillips-head screws shall be provided for easy assembly.
- **Optional:** Color choices of Recycled Plastic components. For optional colors choices see Specification Bulletin # SPC-CO-001.
- **Optional:** Seat and back planks shall be available in 2" x 6" or 2" x 10" nominal sizes. Indicate choice by changing "24" at end of model no. to "26" for 2" x 6"; or "21" for 2" x 10".

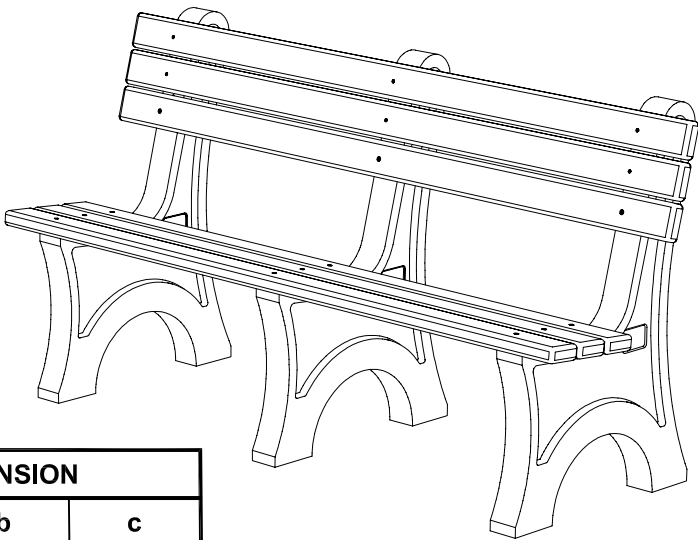
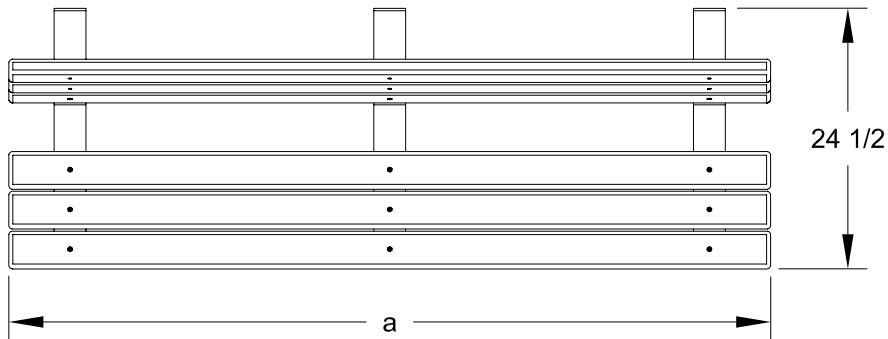
AVAILABLE OPTIONS

- 4' or 6' models
- Choice of colors of Recycled Plastic
- Custom Lettering and Plaques available (call for details)
- Surface anchor brackets

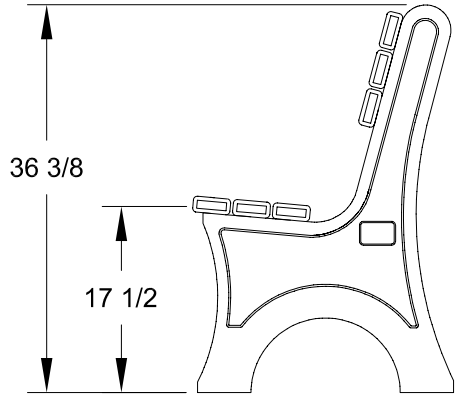
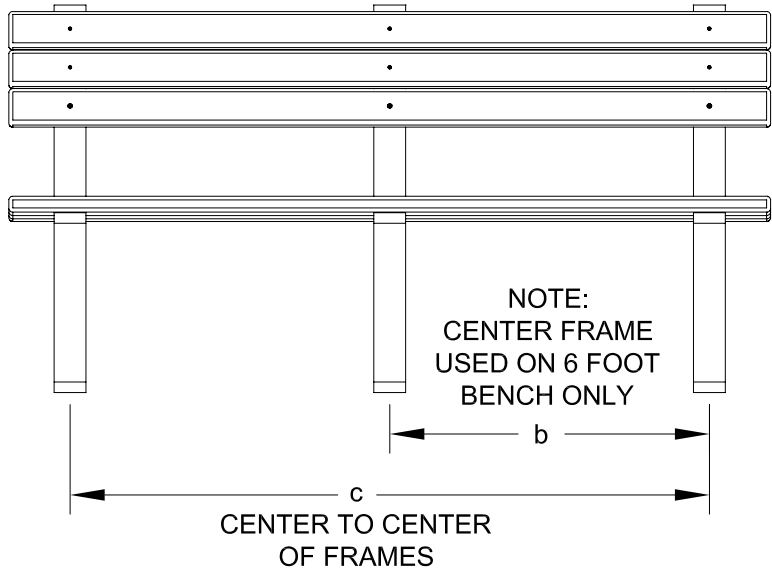
RJThomas Mfg. Co., Inc.

PO Box 946 • Cherokee, IA 51012-0946 • PH: 712-225-5115 • 800-762-5002 • FAX: 712-225-5796
E-mail: pilotrock@rjthomas.com • Web Site: <http://www.pilotrock.com>

© 2008 RJThomas Mfg. Co., Inc. PILOT ROCK® Park Products is a registered trademark of RJThomas Mfg. Co., Inc.



MODEL NUMBER	DIMENSION		
	a	b	c
RBB-4	47-1/2	N/A	36
RBB-6	71-1/2	30	60



ALL DIMENSIONS IN INCHES

R. J. THOMAS MFG. Co., INC. P.O. Box 946 • Cherokee, IA 51012	DRAWN BY WWM	TITLE MODEL RBB 4 AND 6 FOOT SURFACE MOUNT 100% RECYCLED PLASTIC BENCH WITH 2" X 4" SEAT AND BACK PLANKS	DATE 3-23-05
			DWG. NO. AI-1637