

CLB Series 4 and 6 Foot Portable Classic Bench with Recycled Plastic Seat



Model CLB/G-6PC, 6 ft. long portable bench with Hot Dip Galvanized frames and Cedar colored Recycled Plastic slats.

- **Simple, classic, portable design**
- **100% Recycled Plastic Seat and Top Planks with solid color and U.V. stabilizer for ultraviolet protection**
- **Diagonal braces for stability**
- **Frames are hot dip galvanized after fabrication for superior corrosion resistance**

SPECIFICATIONS:

- **Model CLB** end frames shall be one-piece, welded construction, fabricated from a continuous, formed length of 1-1/2" x 1/2" x 1/8" A-36 structural steel channel.
- Diagonal cross braces shall be constructed of 1-1/2" x 1/2" x 1/8" A-36 structural steel channel.
- 4 ft. model shall be provided with a center channel of 1-1/2" x 1/2" x 1/8" A-36 steel channel to fasten to planks and diagonal braces.
- **Model CLB/G-4** shall have a nominal length of 4 ft. with two frames.
- **Model CLB/G-6** shall have a nominal length of 6 ft. with three frames.
- Frame units and diagonal braces shall be hot-dip galvanized after fabrication to ASTM-A123 to maintain an average zinc coating of 2.0 oz. per sq. ft. of surface area.
- Zinc plated carriage bolts and nuts shall be provided to fasten bench connections.
- **Standard:** Seats shall be made of 100% Recycled Plastic molded into 1" x 3" nominal sized planks with solid Cedar color (indicated by PC in model no., e.g. CLB/G-4PC) formed throughout and a U.V. stabilizer added for ultra-violet protection.
- **Optional:** Color choices of Recycled Plastic components. For optional colors choices see Specification Bulletin # SPC-CO-001.

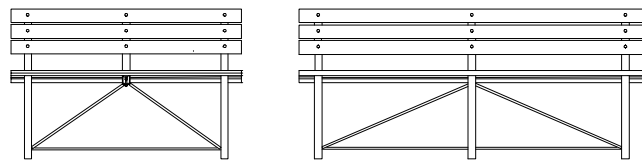
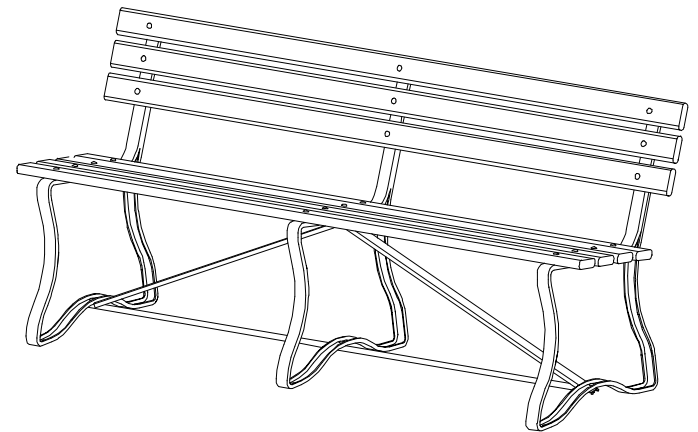
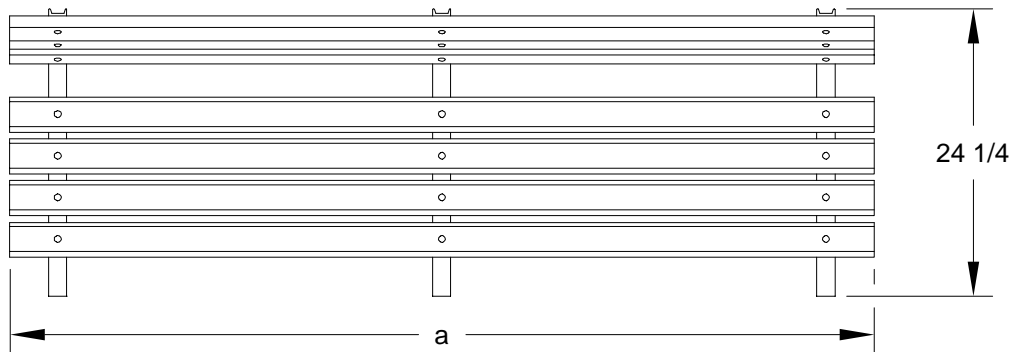
AVAILABLE OPTIONS

- 4' or 6' lengths
- Choice of colors of Recycled Plastic

RJThomas Mfg. Co., Inc.

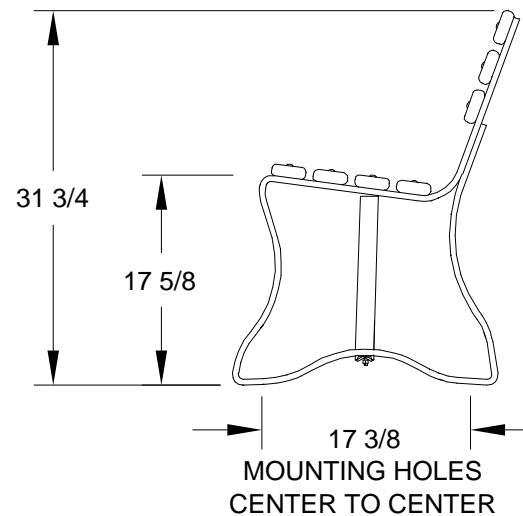
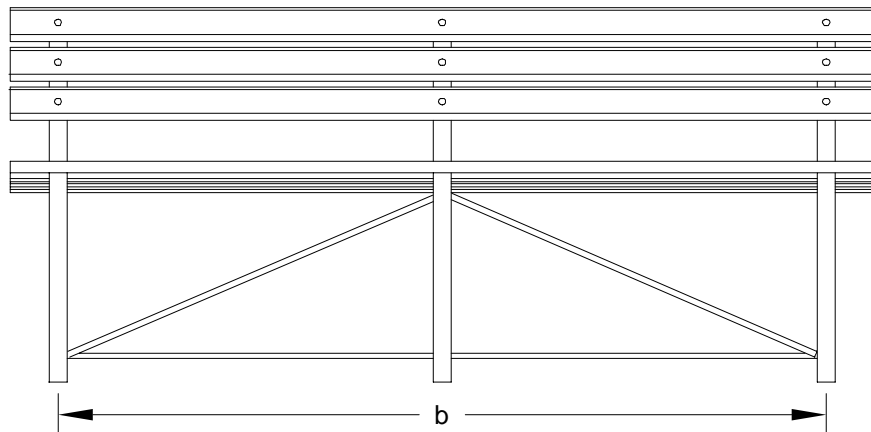
PO Box 946 • Cherokee, IA 51012-0946 • PH: 712-225-5115 • 800-762-5002 • FAX: 712-225-5796
E-mail: pilotrock@rjthomas.com • Web Site: <http://www.pilotrock.com>

© 2008 RJThomas Mfg. Co., Inc. PILOT ROCK® Park Products is a registered trademark of RJThomas Mfg. Co., Inc.



4 FT MODEL HAS CENTER SUPPORT CHANNEL,
6 FT MODEL HAS FULL FRAME FOR CENTER SUPPORT

MODEL NUMBER	DIMENSION	
	a	b
CLB/G-4	48	40
CLB/G-6	72	64



R. J. **THOMAS MFG. Co., INC.**
P.O. Box 946 • Cherokee, IA 51012

DRAWN BY
WWM

TITLE CLB SERIES 4 AND 6 FOOT CLASSIC BENCH WITH RECYCLED PLASTIC SEAT

DATE 9-28-07

DWG. NO. AI-1821