

Model SR Saddleback Bicycle Rack



Model SRP/G-5 Surface Mount Saddleback Bike Rack with Hot Dip Galvanized finish and Standard Cover Caps. Hold 5 bikes

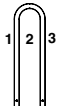
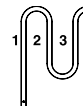
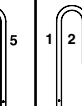
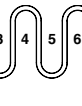
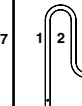
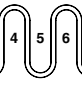
- **Six sizes available to hold three to thirteen bikes**
- **Model for embedded or surface mount installation**
- **Heavy 2-3/8" OD Schl. 40 steel pipe**
- **Hot-dip galvanized after fabrication for superior corrosion resistance**
- **Works with any bike, any security device**

AVAILABLE OPTIONS

Models to hold 3 ,5 ,7 ,9 ,11, or 13 bikes
Anchor Kit
Choice of colors of Powder Coat Finish

SPECIFICATIONS:

- **Model SR** Saddleback bike rack shall be constructed from 2-3/8" dia. Schedule 40 steel pipe with 6" inside radius die-formed bends creating an inverted "U" shape providing a rack for securing from three to thirteen bicycles.
- **Model SR** bike rack is designed to have an overall height of 36", overall width will vary by model.
- Bike rack shall be hot-dip galvanized after fabrication to ASTM-A123 to maintain an average zinc coating of 2.0 oz. per sq. ft. of surface area (indicated by "/G" in model no.).
- **Two Installation Choices:**
 - **Embedded:** The vertical legs of the **Model SRE/G** bike rack shall be embedded 9-3/4" into concrete footings (indicated by "E" in model no.). A 9/16" dia hole through each leg shall be provide for insertion of a 1/2" rod (not included) to additionally secure the rack in the footings.
 - **Optional:** Formed pregalvanized steel cover caps are available for the **Model SRE/G** bike rack.
 - **Surface Mount:** The vertical legs of the **Model SRP/G** bike rack shall be threaded to receive screw-on flanges with two 9/16" dia. holes for 3/8" anchor bolts (not included) for surface mount applications (indicated by "P" in model no.).
 - **Standard:** Formed pregalvanized steel cover caps shall be included with **Model SRP/G** bike racks to cover anchors for safety and appearance.
 - **Optional:** A choice of powder coat colors is available. For color choices see Specification Bulletin # SPC-CO-001.
 - **Optional: Model ANC3-4** anchor kit, a set of four 3/8" dia. x 3" heavy duty screw anchors for concrete surface mounting of Models SRP-3 thru SRP-11, **Model ANC3-6** anchor kit, a set of six 3/8" dia. x 3" heavy duty screw anchors for SRP-13 (order as an additional item).

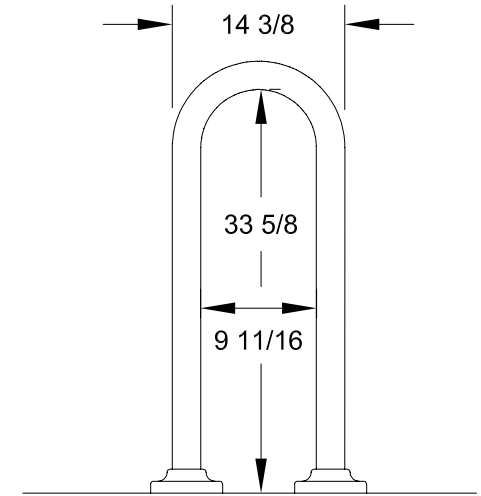
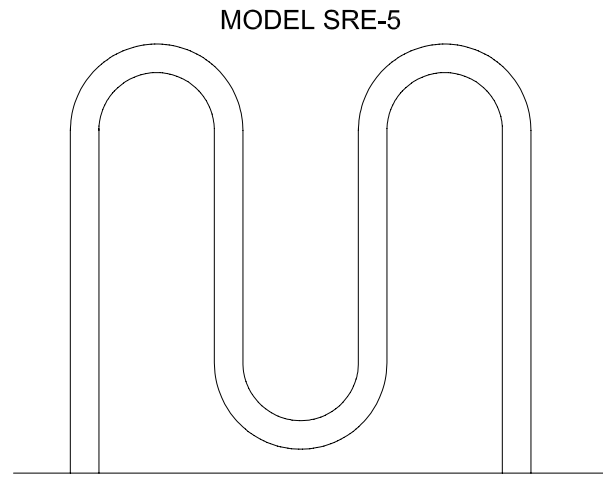
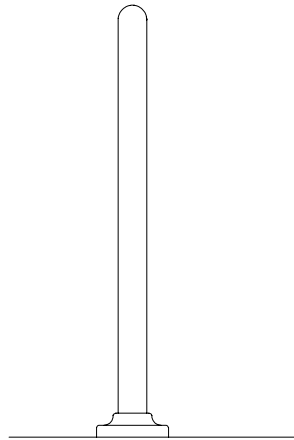
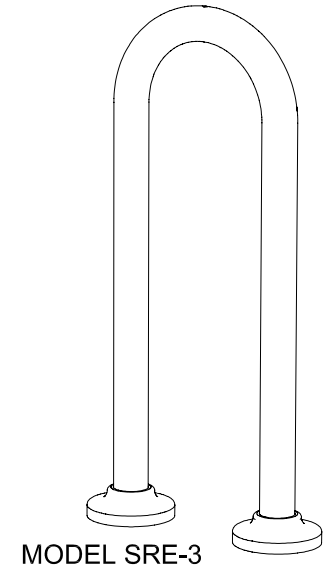
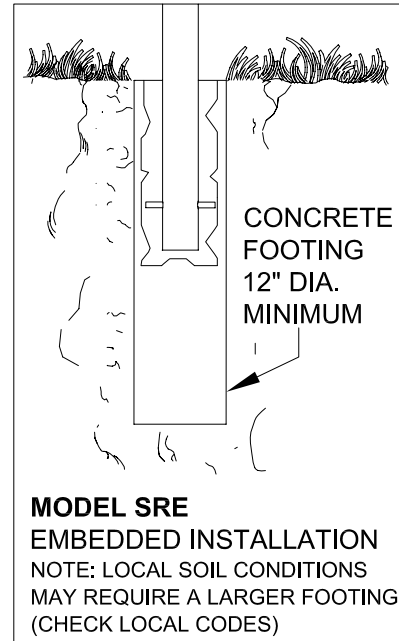
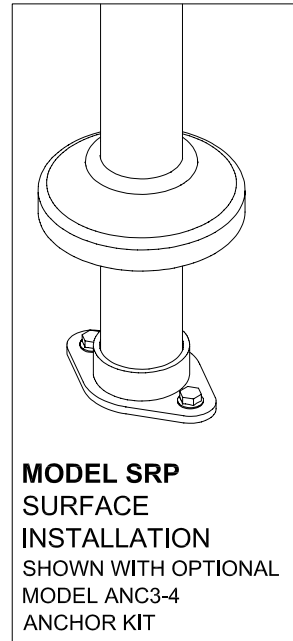
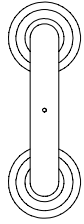
						
# of Bikes	3	5	7	9	11	13
Length (nom.)	14"	38"	62"	86"	110"	134"
Embedded Models	SRE/G-3	SRE/G-5	SRE/G-7	SRE/G-9	SRE/G-11	SRE/G-13
Base Plate Models	SRP/G-3	SRP/G-5	SRP/G-7	SRP/G-9	SRP/G-11	SRP/G-13

Note: Saddleback Bicycle Racks feature a nominal 12" center to center between loops. Listed lengths are nominal and may vary due to bending tolerances.

RJThomas Mfg. Co., Inc.

PO Box 946 • Cherokee, IA 51012-0946 • PH: 712-225-5115 • 800-762-5002 • FAX: 712-225-5796
 E-mail: pilotrock@rjthomas.com • Web Site: <http://www.pilotrock.com>

© 2008 RJThomas Mfg. Co., Inc. PILOT ROCK® Park Products is a registered trademark of RJThomas Mfg. Co., Inc.



ALL DIMENSIONS IN INCHES

R. J. **THOMAS MFG. Co., INC.**
P.O. Box 946 • Cherokee, IA 51012

DRAWN BY
WWM

TITLE SR SERIES SADDLEBACK BIKE RACK

DATE 7-17-07

DWG. NO. AI-1805