



Model O-34/TB Large Group Firering

- **510 square inches of cooking surface**
- **Cooking grate tips back for easy fire building and cleaning**
- **Public use-type spring grips of coiled steel bar**
- **No leveraged pinch points between grate and ring**
- **Choice of large open fire or small fire under grate for cooking**
- **Firering tips back for easy cleaning**
- **Tip-back anchors embedded in concrete footings provide permanent location**
- **Quality construction throughout**

SPECIFICATIONS:

- Firering shall be 34" x 40" with a 6" high fire barrier constructed of 1/4" plate steel and cross braced with 1-1/4" x 1-1/4" x 3/16" A-36 steel angle.
- Unit shall be permanently installed and tip upward for easy cleaning on hinged anchor devices with two 1/2" dia. steel "U" anchor pins with deformed ends that shall insert 15" into concrete footings.
- 510 sq. in. grate shall be 9" above ground level and shall be constructed from 1/2" dia. A-36 steel rods spaced 1-1/8" on centers and held securely in heat expansion channels to allow rods to expand under heat. Grate perimeter shall be constructed of 1/4" x 3" steel flat bar on the front and 1/4" x 2" steel flat bar on the sides and rear and shall be permanently attached and hinged at rear to tip back.
- Grill design shall provide 1" gap on sides to eliminate leveraged pinch point as grate closes on firebox.
- Grate shall be provided with two substantially constructed coil spring grips suitable for public use made from 1/8" x 1/2" flat steel bar (not wire springs).
- Entire unit shall be finished in high temperature, heat resistant, nontoxic black enamel.

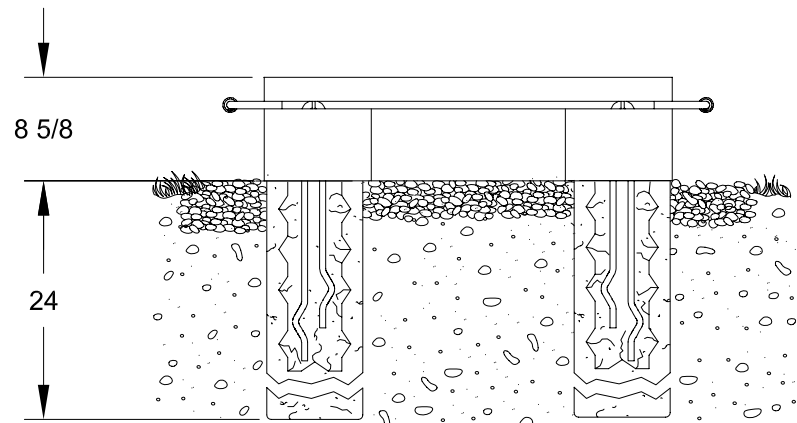
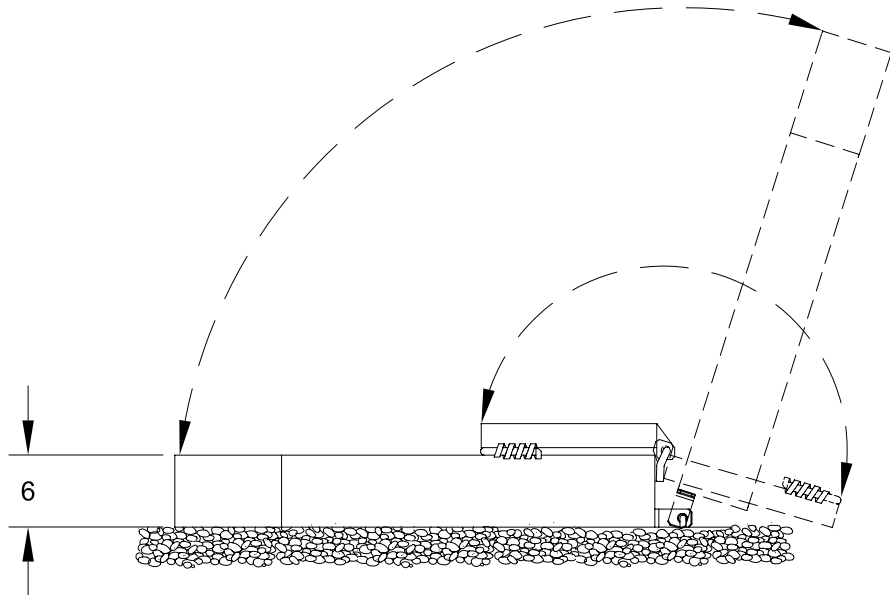
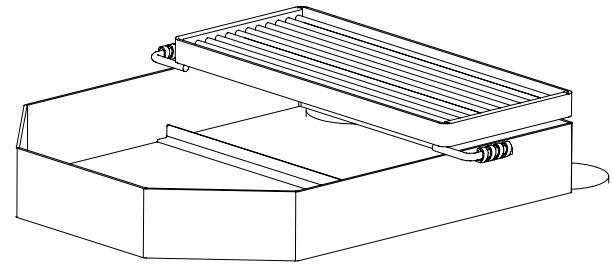
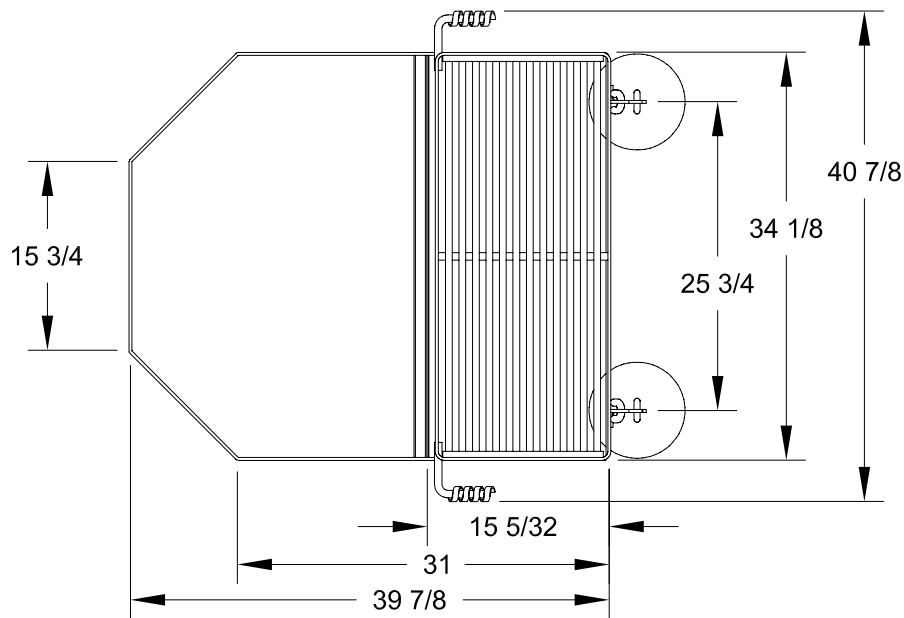
AVAILABLE OPTIONS

Tip-back angle spade anchors

RJThomas Mfg. Co., Inc.

PO Box 946 • Cherokee, IA 51012-0946 • PH: 712-225-5115 • 800-762-5002 • FAX: 712-225-5796
E-mail: pilotrock@rjthomas.com • Web Site: <http://www.pilotrock.com>

© 2008 RJThomas Mfg. Co., Inc. PILOT ROCK® Park Products is a registered trademark of RJThomas Mfg. Co., Inc.



R. J. **THOMAS MFG. CO., INC.**
 P.O. Box 946 • Cherokee, IA 51012

DRAWN BY
WWM

TITLE MODEL O-34 LARGE GROUP FIRERING WITH TIP BACK ANCHORS

DATE 01-26-07

DWG. NO. AI-1755