

UT Series 10 and 12 Foot Side Access Rectangular Table with Aluminum Top and Seats



Model UT/G-12AL/SA 12 Ft. Wheelchair Accessible Heavy Duty Portable Rectangular Table with Hot Dip Galvanized Frame and Aluminum top and seats. Table provides access for two wheelchairs.

- **ADA compliant access for two wheelchairs**
- **Nontip, nontrip, walk-through design**
- **All welded end frames are fabricated from 1.66" diameter steel pipe**
- **Die-formed center channel and diagonal braces align and strengthen entire table**
- **Frames are hot dip galvanized after fabrication for superior corrosion resistance**
- **Seats and Top are Aluminum with a clear anodized maintenance free finish**
- **Fast, easy assembly using 3/8" dia. galvanized carriage bolts**
- **Limited lifetime warranty on frames**

AVAILABLE OPTIONS

10' or 12' length

Powder Coat Finish in choice of colors for steel frame components

Powder Coat Finish in choice of colors for aluminum top and seats

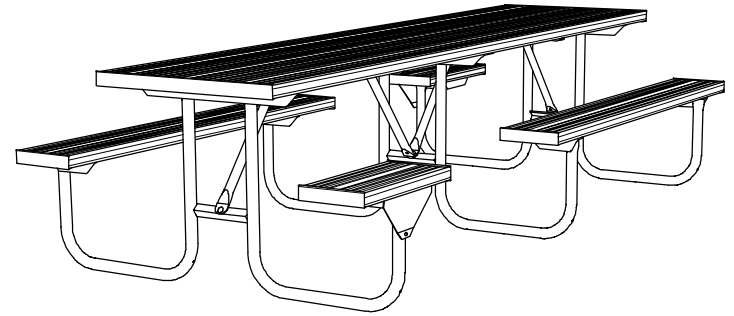
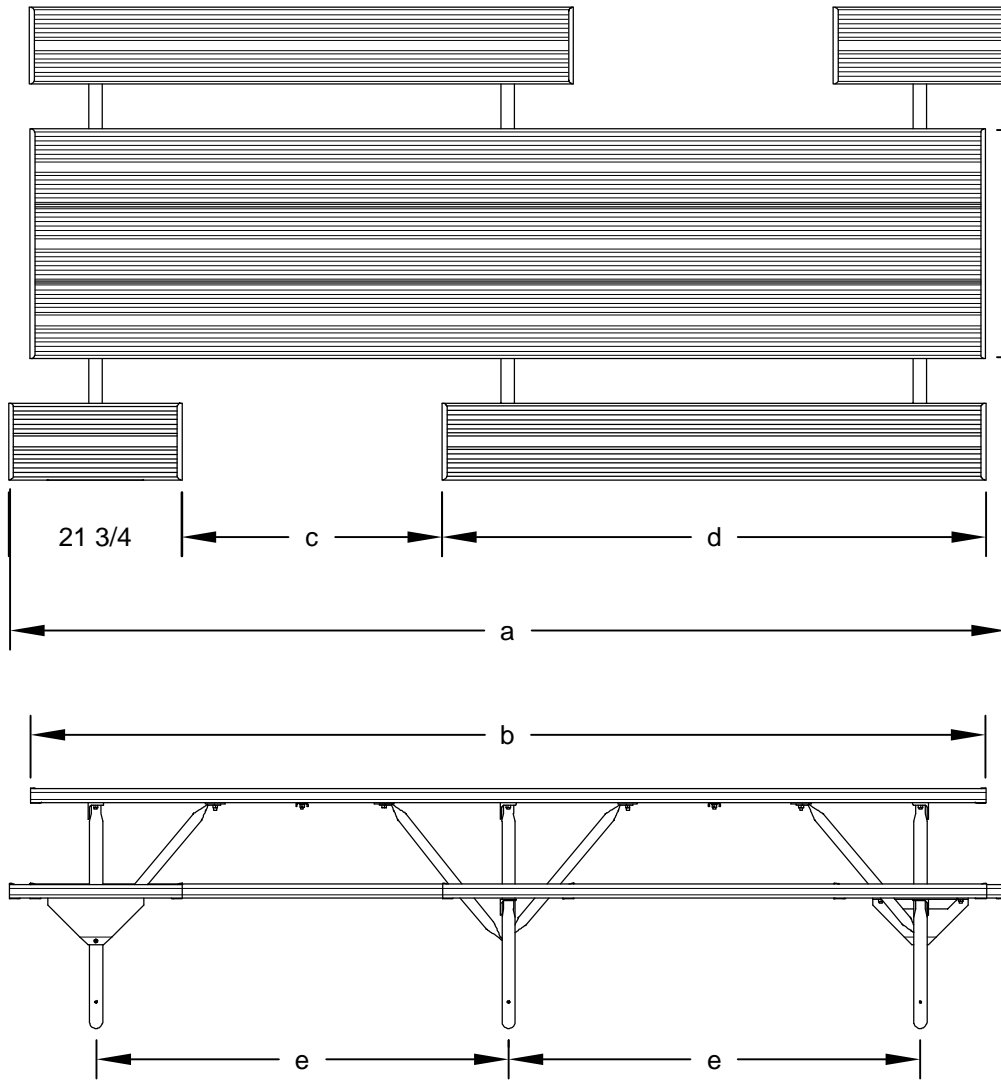
SPECIFICATIONS:

- **UT Series** end frames shall be one-piece welded construction, fabricated from 1.660" O.D. (1-5/8" O.D.) steel pipe to meet 1-1/4" nominal pipe size specifications with 2" x 2" x 3/16" A-36 structural grade steel angle for attaching the seats and tops.
- Table frame design shall incorporate nontip, nontrip, walk-through design features.
- Table shall provide two wheelchair spaces created by attaching one short seat and one long seat to end frames diagonally opposite each other. Short seats shall be supported by a 11 ga. steel plate bracket. Gap between seats shall create a ADA recommended space of 30" wide, 19" deep, and 27" from ground to bottom of table top for knee space, and minimum 9" above ground extending a total of 24" deep for toe space. Indicated by "/SA" at end of model no.
- Nominal table height, 30". Nominal seat height, 18".
- **Model UT/G-10AL/SA** shall be a nominal 10 ft. long with three frames, one 21-3/4" long seat and one 68-1/4" long seat on each side.
- **Model UT/G-12AL/SA** shall be a nominal 12 ft. long with three frames, one 21-3/4" long seat and one 82-5/8" long seat on each side.
- Frames shall be supported by diagonal braces of 1-5/16" O.D. x 14 ga. wall steel pipe that shall connect to a die-formed steel channel designed to align and provide attachment to the table top.
- **Standard:** All steel frame components shall be hot-dip galvanized after fabrication to ASTM-A123 to maintain an average zinc coating of 2.0 oz. per sq. ft. of surface area (indicated by "/G" in model no., e.g. UT/G-10AL/SA).
- All fasteners shall be provided for assembly.
- Aluminum shall be extruded 6063-T6 aluminum alloy in planks with dimensions equivalent to that of 2" x 10" nominal sized lumber. The plank design shall be 1-3/4" x 9-5/8" with four structural reinforcement ribs for greater rigidity. Aluminum planks shall be provided with a clear anodized finish as per anodizing specification 204 R1. Aluminum clips to fasten planks to frames are included.
- Channel end caps shall be of extruded 6063-T6 aluminum alloy provided with a clear anodized finish as per anodizing specification 204 R1. End caps shall be press fitted over ends of aluminum planks and mechanically fastened in place at the factory.
- Table tops are assembled into single units at the factory with one-piece end caps across each end.
- **Optional:** All steel frame components shall have powder coat finish. For color choices see Specification Bulletin #SPC-CO-001.
- **Optional:** Aluminum top and seat planks and end caps shall have powder coat finish. For color choices see Specification Bulletin #SPC-CO-001.

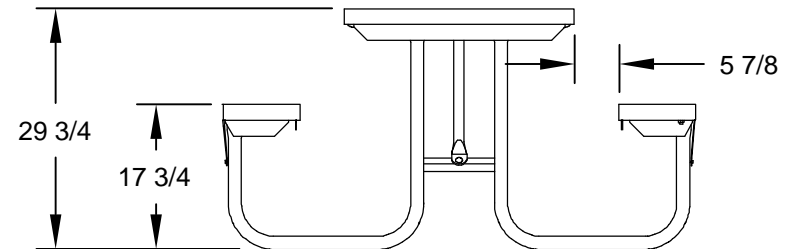
RJThomas Mfg. Co., Inc.

PO Box 946 • Cherokee, IA 51012-0946 • PH: 712-225-5115 • 800-762-5002 • FAX: 712-225-5796
E-mail: pilotrock@rjthomas.com • Web Site: <http://www.pilotrock.com>

© 2008 RJThomas Mfg. Co., Inc. PILOT ROCK® Park Products is a registered trademark of RJThomas Mfg. Co., Inc.



| MODEL NUMBER | DIMENSION | | | | |
|--------------|-----------|-----------|----------|--------|--------|
| | a | b | c | d | e |
| UT-10/SA | 122-7/16 | 119-25/32 | 32-23/32 | 68-1/4 | 51-3/4 |
| UT-12/SA | 144 | 144 | 39-3/8 | 82-5/8 | 60-7/8 |



R. J. **THOMAS MFG. Co., INC.**
P.O. Box 946 • Cherokee, IA 51012

DRAWN BY
WWM

TITLE **UT SERIES HEAVY DUTY 10 AND 12 FOOT SIDE ACCESS PORTABLE RECTANGULAR TABLE WITH ALUMINUM TOP AND SEATS**

DATE **8-23-07**

DWG. NO. **AI-1818**