

## Silver Sioux Series, Model B43 Embedded Mount 3 and 4 Ft. Bench with Recycled Plastic Timbers



*Model B43/CN-4PC34 4 Ft. Embedded Mount Bench  
with Green Powder Coat Frames  
and Cedar colored Recycled Plastic 3" x 4" Timbers.*

- **Comfortable contoured full back and seat design**
- **Design offers extensions to make longer benches with additional armrests**
- **Stylish armrest loops integrated into end frames**
- **Sturdy, formed and welded steel frame construction**
- **Powder Coat frame finish**
- **100% Recycled Plastic 3" x 4" Timbers**
- **Quality construction throughout**

### SPECIFICATIONS:

- **Model B43 Series** end frames are one-piece welded construction with frame leg to meet 1-1/2" nominal steel pipe size specifications (1-7/8" O.D.). Seat brackets are constructed of 2-3/8" x 1-1/2" x 1/8" nominal sized, die-formed channel, with holes to mount eight 3" x 4" timbers. The end frames include a welded-on circular armrest formed from 1.66" O.D. steel tubing.
- **Model B43-3** is a nom. 3 ft. in length.
- **Model B43-4** is a nom. 4 ft. in length.
- Bench is designed to be permanently anchored by embedding bench legs in concrete footings.
- **Standard:** Frames are finished in Black powder coat (indicated by "/CB" in model no., e.g. B43/CB-3PC34).
- **Standard:** Seat is made of 100% Recycled Plastic molded into 3" x 4" nominal sized timbers with solid Cedar color (indicated by "PC" in model no., e.g. B43/CB-3PC34) formed throughout and a U.V. stabilizer added for ultra-violet protection. All timbers are precision drilled for assembly and all edges have a molded 3/8" radius with a bullnose profile timber used on top and front positions.
- All fasteners are provided for assembly.
- **Optional:** Color choices of powder coated steel frame components. For optional colors choices see Specification Bulletin #SPC-CO-001.
- **Optional:** Color choices of Recycled Plastic components. For optional colors choices see Specification Bulletin #SPC-CO-001.
- Bench extensions of a matching design are available on 3 and 4 ft. bench models. For additional information please refer to Specification Bulletin #SPC-BC-048.

### AVAILABLE OPTIONS

3' or 4' models

Choice of colors of Powder Coat Finish on steel frame components

Choice of colors of Recycled Plastic

Bench Extensions for 3' and 4' benches

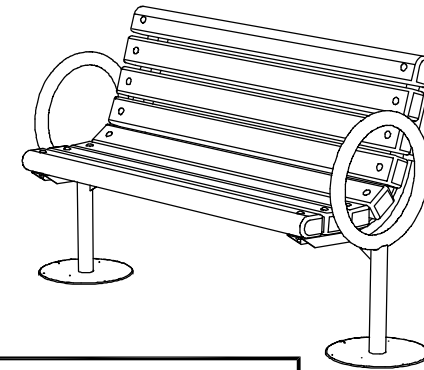
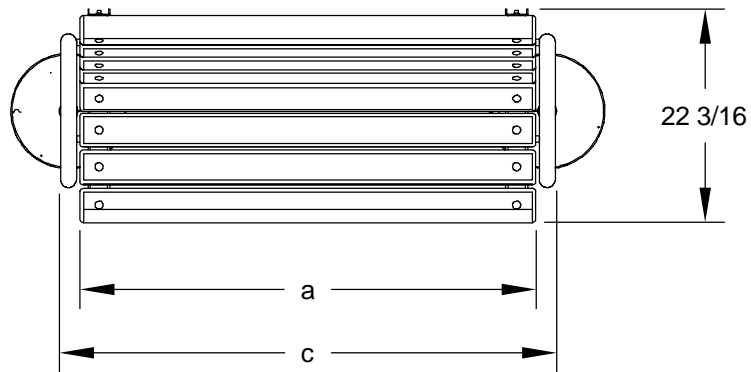
Custom Lettering and Plaques available (call for details)

**RJThomas Mfg. Co., Inc.**

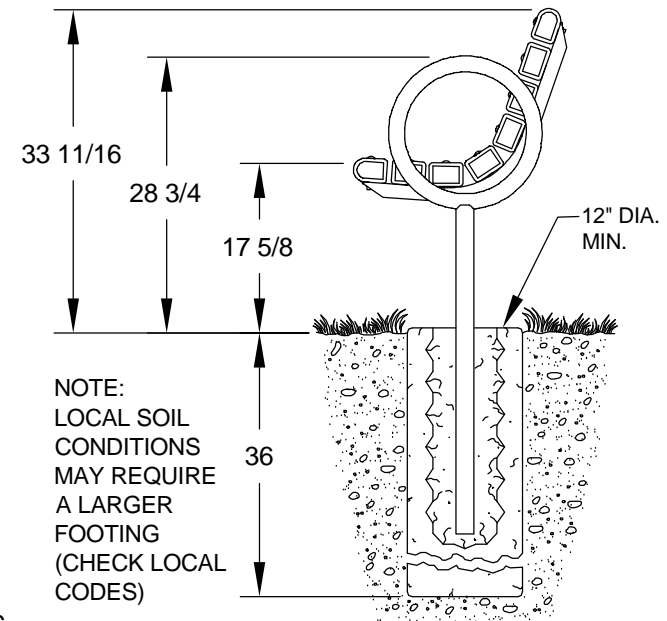
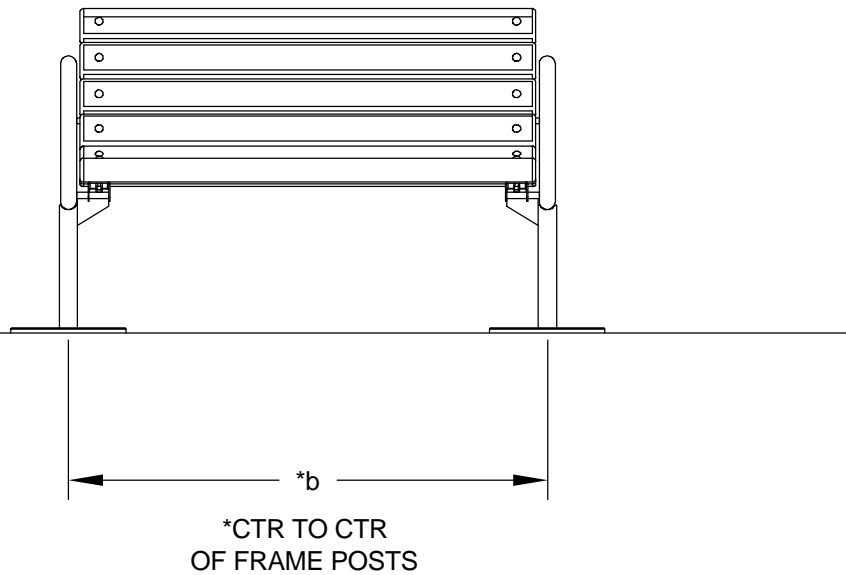
PO Box 946 • Cherokee, IA 51012-0946 • PH: 712-225-5115 • 800-762-5002 • FAX: 712-225-5796

E-mail: [pilotrock@rjthomas.com](mailto:pilotrock@rjthomas.com) • Web Site: <http://www.pilotrock.com>

© 2008 RJThomas Mfg. Co., Inc. PILOT ROCK® Park Products is a registered trademark of RJThomas Mfg. Co., Inc.



MODEL NUMBER	DIMENSION		
	a	*b	c
B43-3	35 1/2	37 7/8	39 3/4
B43-4	47 1/2	49 7/8	51 3/4



ALL DIMENSIONS IN INCHES

**RJThomas Mfg. Co., Inc.**  
P.O. Box 946 • Cherokee, IA 51012-0946

DRAWN BY  
**WWM**

TITLE SILVER SIOUX SERIES MODEL B43 3 AND 4 FOOT CONTOUR EMBEDDED MOUNT BENCHES WITH 3" x 4" RECYCLED PLASTIC TIMBERS

DATE 8-27-08

DWG. NO. AI-1585