



*Model BE61/CW-3PU34 Embedded Mount Bench Extension with Brown Powder Coat Frames, 3 Ft. long with Blue Recycled Plastic 3" x 4" Timbers. (Shown with Model B61/CW-3PU34 Bench.)*

- **Comfortable seat design may be accessed from either side**
- **Designed to join easily with Model B61 benches to make longer benches with additional armrests**
- **Wide curves at the corners of the frames also serve as comfortable armrests**
- **Sturdy, formed and welded steel frame construction**
- **Powder Coat frame finish**
- **Precision drilled 100% Recycled Plastic 3" x 4" Timbers**
- **Quality construction throughout**

#### **SPECIFICATIONS:**

- **Model BE61 Series** extension frame is a one-piece welded construction with frame to meet 2" nominal steel pipe size specifications (2-3/8" O.D.) with each corner to be formed on a nominal 6" centerline radius. Two seat brackets are constructed of 3-1/8" x 2" x 7 ga. die-formed steel angle with holes to mount five 3" x 4" timbers.
- Model BE61 bench extension is used with Model B61 3 and 4 ft. benches. Multiple extensions can be added to create any length of bench in 3 and 4 ft. increments. The extension frame replaces one bench end frame which is then moved to the end of the extension. (For information on Model B61 benches refer to Specification Bulletin #SPC-BC-078.)
- Bench is designed to be permanently anchored by embedding bench legs in concrete footings.
- **Model BE61-3** is a nom. 3 ft. in length.
- **Model BE61-4** is a nom. 4 ft. in length.
- **Standard:** Frame is finished in Black powder coat (indicated by "/CB" in model no., e.g. BE61/CB-3PC34).
- **Standard:** Seat is made of 100% Recycled Plastic molded into 3" x 4" nominal sized timbers with solid Cedar color (indicated by "PC" in model no., e.g. BE61/CB-3PC34) formed throughout and a U.V. stabilizer added for ultra-violet protection. All timbers are precision drilled for assembly and all edges shall have a molded 3/8" radius with a bullnose profile timber used on outside positions.
- All fasteners are provided for assembly.
- **Optional:** Color choices of powder coated steel frame components. For optional colors choices see Specification Bulletin #SPC-CO-001.
- **Optional:** Color choices of Recycled Plastic components. For optional colors choices see Specification Bulletin #SPC-CO-001.

#### **AVAILABLE OPTIONS**

**3' or 4' models**

**Choice of colors of Powder Coat Finish on steel frame components**

**Choice of colors of Recycled Plastic**

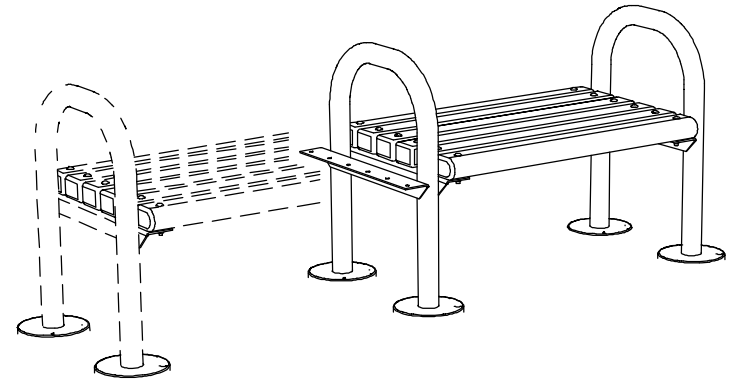
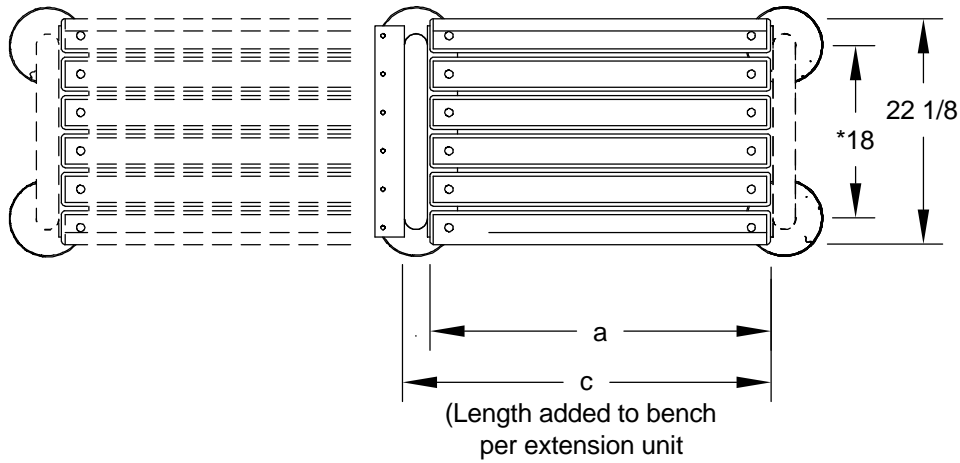
**Custom Lettering and Plaques available (call for details)**

**RJThomas Mfg. Co., Inc.**

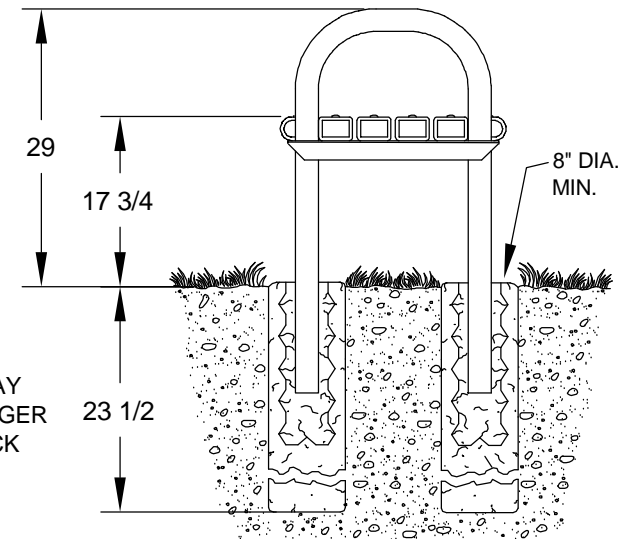
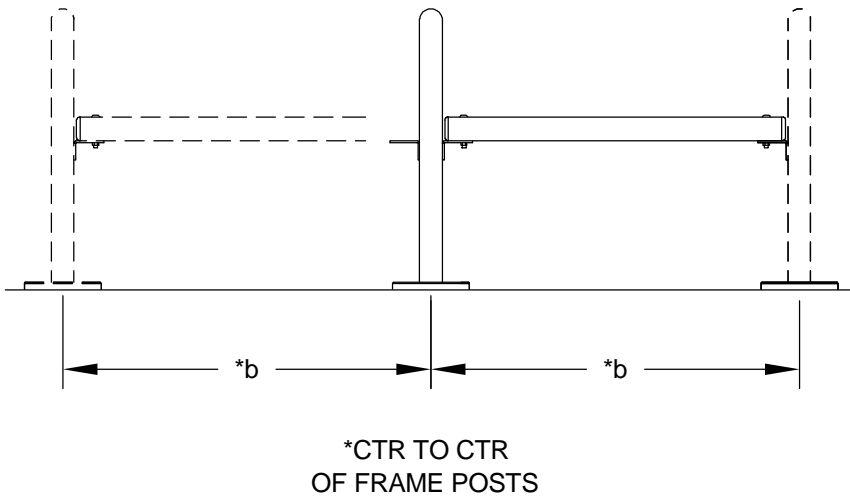
PO Box 946 • Cherokee, IA 51012-0946 • PH: 712-225-5115 • 800-762-5002 • FAX: 712-225-5796

E-mail: pilotrock@rjthomas.com • Web Site: <http://www.pilotrock.com>

© 2008 RJThomas Mfg. Co., Inc. PILOT ROCK® Park Products is a registered trademark of RJThomas Mfg. Co., Inc.



MODEL NUMBER	DIMENSION		
	a	*b	c
BE61-3	35 1/2	38 3/8	38 3/8
BE61-4	47 1/2	50 3/8	50 3/8



ALL DIMENSIONS IN INCHES

**RJThomas Mfg. Co., Inc.**  
P.O. Box 946 • Cherokee, IA 51012-0946

DRAWN BY  
**WWM**

TITLE RIVERVIEW SERIES MODEL BE61 3 AND 4 FOOT FLAT EMBEDDED MOUNT BENCH  
EXTENSION WITH 3" X 4" RECYCLED PLASTIC TIMBERS (SHOWN WITH RIVERVIEW  
SERIES MODEL B61 BENCH IN PHANTOM)

DATE 8-28-08

DWG. NO. AI-1603