



*Model BE63/CN-3IB34 Embedded Mount Bench Extension with Green Powder Coat Frames, 3 Ft. long with Indonesian Balau Wood 3" x 4" Timbers. (Shown with Model B63/CN-3IB34 Bench.)*

- **Comfortable contoured full back and seat design**
- **Designed to join easily with Model B63 benches to make longer benches with additional armrests**
- **Wide curves at the corners of the frames also serve as comfortable armrests**
- **Sturdy, formed and welded steel frame construction**
- **Powder Coat frame finish**
- **Precision drilled Hardwood 3" x 4" Timbers**
- **Quality construction throughout**

#### **SPECIFICATIONS:**

- **Model BE63 Series** extension frames are one-piece welded construction with frame to meet 2" nominal steel pipe size specifications (2-3/8" O.D.) with each corner to be formed on a nominal 6" centerline radius. Two seat brackets are constructed of 2-3/8" x 1-1/2" x 1/8" nominal sized, die-formed channel, with holes to mount eight 3" x 4" timbers.
- Model BE63 bench extension is used with Model B63 3 and 4 ft. benches. Multiple extensions can be added to create any length of bench in 3 and 4 ft. increments. The extension frame replaces one bench end frame which is then moved to the end of the extension. (For information on Model B63 benches refer to Specification Bulletin #SPC-BC-085.)
- Bench is designed to be permanently anchored by embedding bench legs in concrete footings.
- **Model BE63-3** is a nom. 3 ft. in length.
- **Model BE63-4** is a nom. 4 ft. in length.
- **Standard:** Frame is finished in Black powder coat (indicated by "/CB" in model no., e.g. BE63/CB-3IB34).
- **Standard:** Lumber is Indonesian Balau Wood 3" x 4" nominal sized timbers (indicated by "IB" in model no., e.g. BE63/CB-3IB34). All timbers are precision drilled for assembly and have all exposed edges removed to a 3/8" radius with a bullnose profile timber used on top and front positions.
- All fasteners are provided for assembly.
- **Optional:** Color choices of powder coated steel frame components. For optional colors choices see Specification Bulletin #SPC-CO-001.
- **Optional:** Lumber is #1 grade Southern Yellow Pine, pressure treated and kiln dried after treatment (KDAT) to preserve wood against decay, or Construction Heart Redwood. (To specify, change "IB" in model no. to "TP" for Treated Pine, e.g. BE63/CB-3TP34, or to "CO" for Construction Heart Redwood, e.g. BE63/CB-3CO34).

#### **AVAILABLE OPTIONS**

**3' or 4' models**

**Choice of colors of Powder Coat Finish on steel frame components**

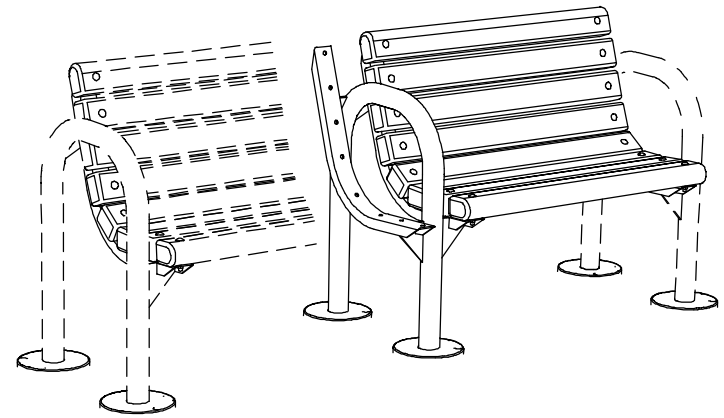
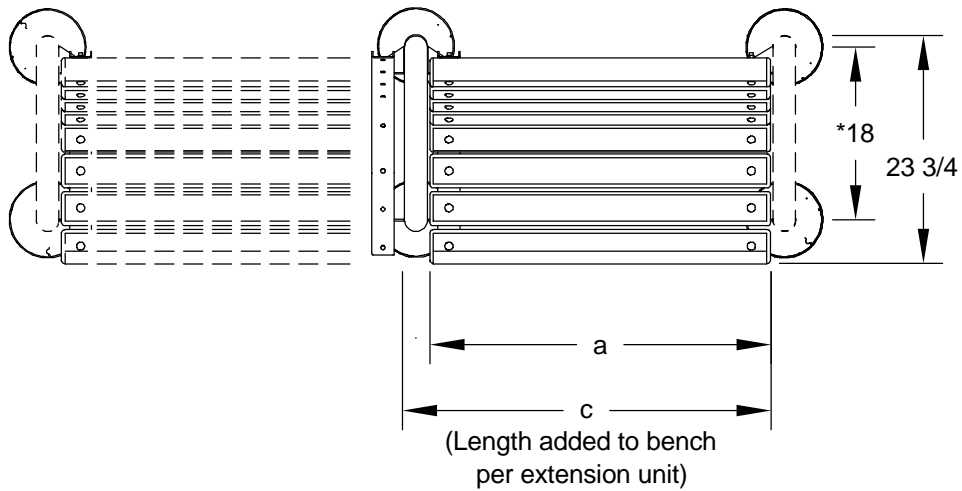
**Treated #1 Southern Yellow Pine or Construction Heart Redwood lumber**

**Custom Lettering and Plaques available (call for details)**

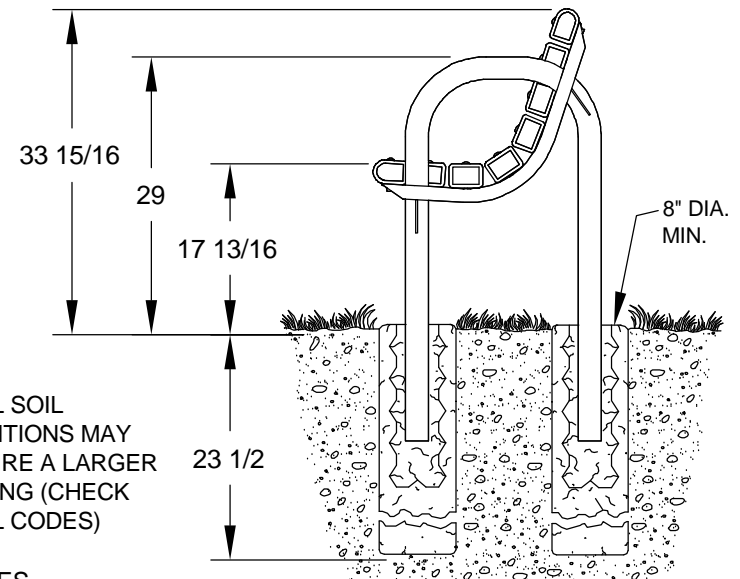
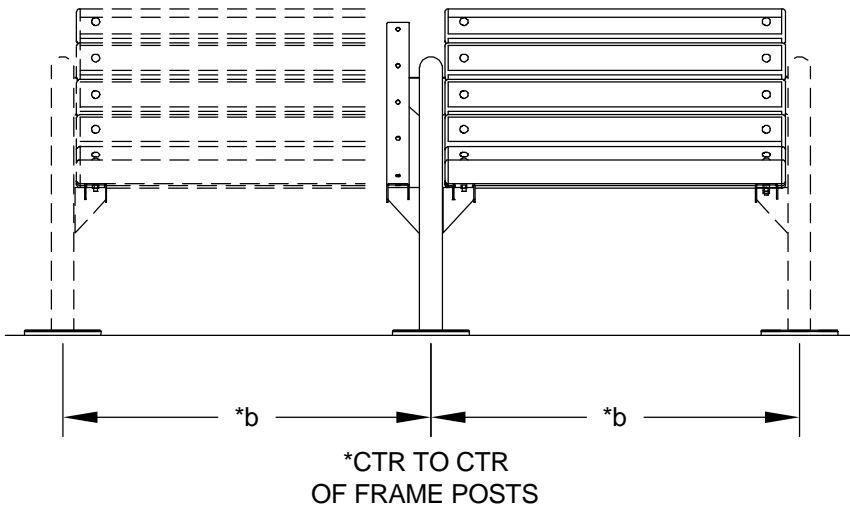
**RJThomas Mfg. Co., Inc.**

PO Box 946 • Cherokee, IA 51012-0946 • PH: 712-225-5115 • 800-762-5002 • FAX: 712-225-5796  
E-mail: pilotrock@rjthomas.com • Web Site: <http://www.pilotrock.com>

© 2008 RJThomas Mfg. Co., Inc. PILOT ROCK® Park Products is a registered trademark of RJThomas Mfg. Co., Inc.



MODEL NUMBER	DIMENSION		
	a	*b	c
BE63-3	35 1/2	38 3/8	38 3/8
BE63-4	47 1/2	50 3/8	50 3/8



NOTE:  
LOCAL SOIL  
CONDITIONS MAY  
REQUIRE A LARGER  
FOOTING (CHECK  
LOCAL CODES)

ALL DIMENSIONS IN INCHES

**RJThomas Mfg. Co., Inc.**  
P.O. Box 946 • Cherokee, IA 51012-0946

DRAWN BY  
**WWM**

TITLE RIVERVIEW SERIES MODEL BE63 3 AND 4 FOOT CONTOUR EMBEDDED MOUNT BENCH EXTENSION WITH 3" X 4" LUMBER TIMBERS (SHOWN WITH RIVERVIEW SERIES MODEL B63 BENCH IN PHANTOM)

DATE 8-29-08

DWG. NO. AI-1606