



*Model BE63/CR-3PD34 Embedded Mount Bench Extension  
with Red Powder Coat Frames, 3 Ft. long  
with Weathered Redwood Recycled Plastic 3" x 4" Timbers.  
(Shown with Model B63/CR-3PD34 Bench.)*

- **Comfortable contoured full back and seat design**
- **Designed to join easily with Model B63 benches to make longer benches with additional armrests**
- **Wide curves at the corners of the frames also serve as comfortable armrests**
- **Sturdy, formed and welded steel frame construction**
- **Powder Coat frame finish**
- **Precision drilled 100% Recycled Plastic 3" x 4" Timbers**
- **Quality construction throughout**

#### **SPECIFICATIONS:**

- **Model BE63 Series** extension frame is a one-piece welded construction with frame to meet 2" nominal steel pipe size specifications (2-3/8" O.D.) with each corner to be formed on a nominal 6" centerline radius. Two seat brackets are constructed of 2-3/8" x 1-1/2" x 1/8" nominal sized, die-formed channel, with holes to mount eight 3" x 4" timbers.
- Model BE63 bench extension is used with Model B63 3 and 4 ft. benches. Multiple extensions can be added to create any length of bench in 3 and 4 ft. increments. The extension frame replaces one bench end frame which is then moved to the end of the extension. (For information on Model B63 benches refer to Specification Bulletin #SPC-BC-088.)
- Bench is designed to be permanently anchored by embedding bench legs in concrete footings.
- **Model BE63-3** is a nom. 3 ft. in length.
- **Model BE63-4** is a nom. 4 ft. in length.
- **Standard:** Frame is finished in Black powder coat (indicated by "/CB" in model no., e.g. BE63/CB-3PC34).
- **Standard:** Seat is made of 100% Recycled Plastic molded into 3" x 4" nominal sized timbers with solid Cedar color (indicated by "PC" in model no., e.g. BE63/CB-3PC34) formed throughout and a U.V. stabilizer added for ultra-violet protection. All timbers are precision drilled for assembly and all edges have a molded 3/8" radius with a bullnose profile timber used on top and front positions.
- All fasteners are provided for assembly.
- **Optional:** Color choices of powder coated steel frame components. For optional colors choices see Specification Bulletin #SPC-CO-001.
- **Optional:** Color choices of Recycled Plastic components. For optional colors choices see Specification Bulletin #SPC-CO-001.

#### **AVAILABLE OPTIONS**

**3' or 4' models**

**Choice of colors of Powder Coat Finish on steel frame components**

**Choice of colors of Recycled Plastic**

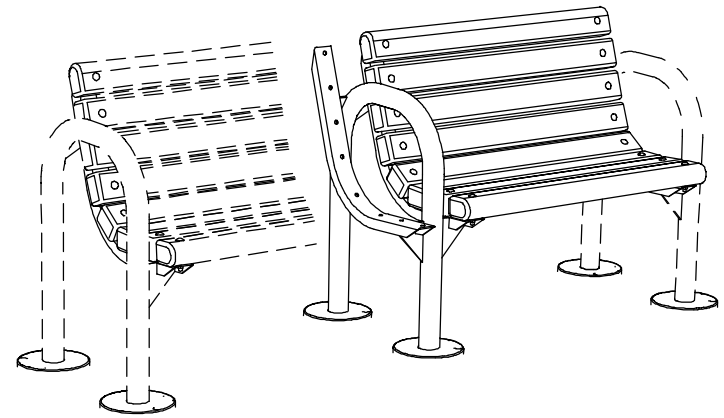
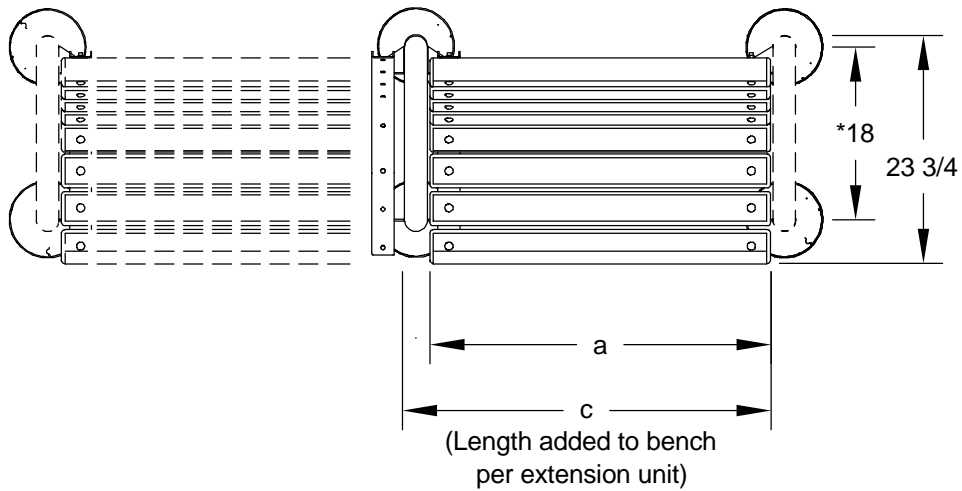
**Custom Lettering and Plaques available (call for details)**

**RJThomas Mfg. Co., Inc.**

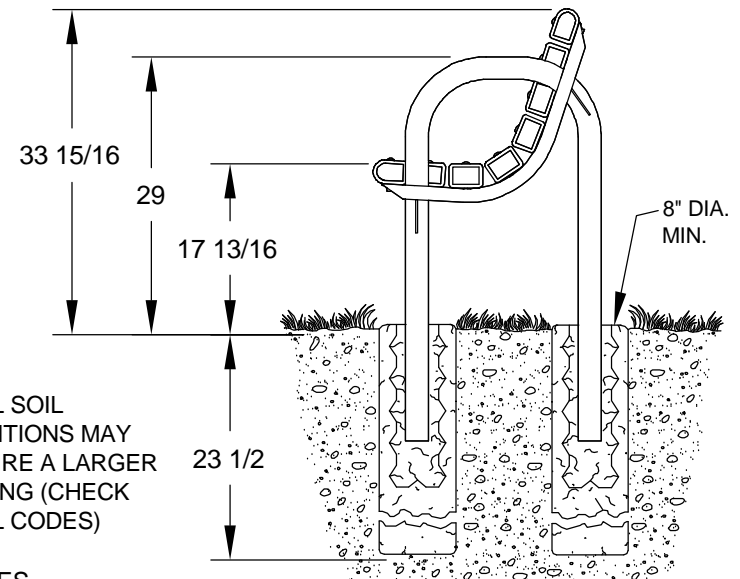
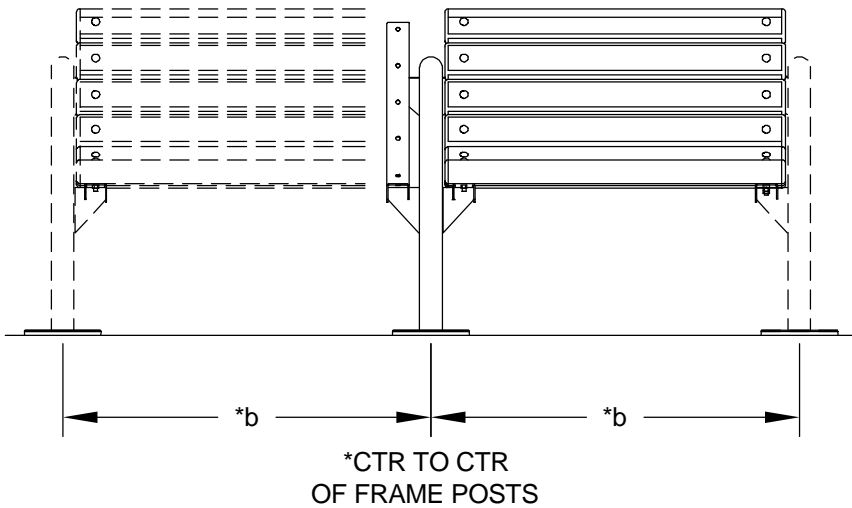
PO Box 946 • Cherokee, IA 51012-0946 • PH: 712-225-5115 • 800-762-5002 • FAX: 712-225-5796

E-mail: pilotrock@rjthomas.com • Web Site: <http://www.pilotrock.com>

© 2008 RJThomas Mfg. Co., Inc. PILOT ROCK® Park Products is a registered trademark of RJThomas Mfg. Co., Inc.



MODEL NUMBER	DIMENSION		
	a	*b	c
BE63-3	35 1/2	38 3/8	38 3/8
BE63-4	47 1/2	50 3/8	50 3/8



NOTE:  
 LOCAL SOIL CONDITIONS MAY REQUIRE A LARGER FOOTING (CHECK LOCAL CODES)

ALL DIMENSIONS IN INCHES

**RJThomas Mfg. Co., Inc.**  
 P.O. Box 946 • Cherokee, IA 51012-0946

DRAWN BY  
**WWM**

TITLE RIVERVIEW SERIES MODEL BE63 3 AND 4 FOOT CONTOUR EMBEDDED MOUNT BENCH EXTENSION WITH 3" X 4" RECYCLED PLASTIC TIMBERS (SHOWN WITH RIVERVIEW SERIES MODEL B63 BENCH IN PHANTOM)

DATE 8-29-08

DWG. NO. AI-1607