

## Model SWB 4, 6, and 8 Foot Embedded Mount Flat Bench with Recycled Plastic Timbers



*Model SWB/CB-6PY 6 Ft. Embedded Mount Bench  
with Black Powder Coat Frames  
and Yellow Recycled Plastic 4" x 4" timbers.*

- **Sturdy welded steel construction**
- **Flat design with Bull-nosed outside timbers**
- **100% Recycled Plastic seat timbers with solid color and U.V. stabilizer for ultraviolet protection**
- **Precision drilled plastic timbers**
- **Quality construction throughout**

### **SPECIFICATIONS:**

- **Model SWB Series** end frames are one-piece welded construction with 2-1/2" x 2-1/2" square steel post. Seat brackets are constructed of 3/8" x 4" A-36 flat steel bar to mount four 3" x 4" timbers.
- Bench is designed to be permanently anchored by embedding bench legs in concrete footings.
- **Model SWB/G-4** is a nom. 4 ft. in length with two (2) frames.
- **Model SWB/G-6** is a nom. 6 ft. in length with two (2) frames.
- **Model SWB/G-8** is a nom. 8 ft. in length with three (3) frames.
- **Standard:** All steel frame components are hot-dip galvanized after fabrication to ASTM-A123 to maintain an average zinc coating of 2.0 oz. per sq. ft. of surface area (indicated by "/G" in model no., e.g. SWB/G-4PC).
- **Standard:** Seat is made of 100% Recycled Plastic molded into 4" x 4" nominal sized timbers with solid Cedar color (indicated by "PC" in model no., e.g. SWB/G-4PC) formed throughout and a U.V. stabilizer added for ultra-violet protection.
- All fasteners are provided for assembly.
- **Optional:** Color choices of powder coated steel frame components. For optional colors choices see Specification Bulletin #SPC-CO-001.
- **Optional:** Color choices of Recycled Plastic components. For optional colors choices see Specification Bulletin #SPC-CO-001.
- **Optional:** In lieu of carriage bolts, zinc plated lag screws shall be provided for timber connections – please specify when ordering.

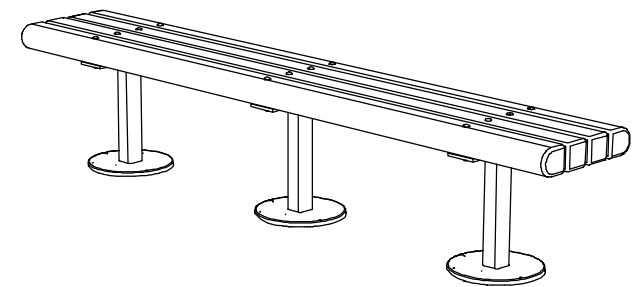
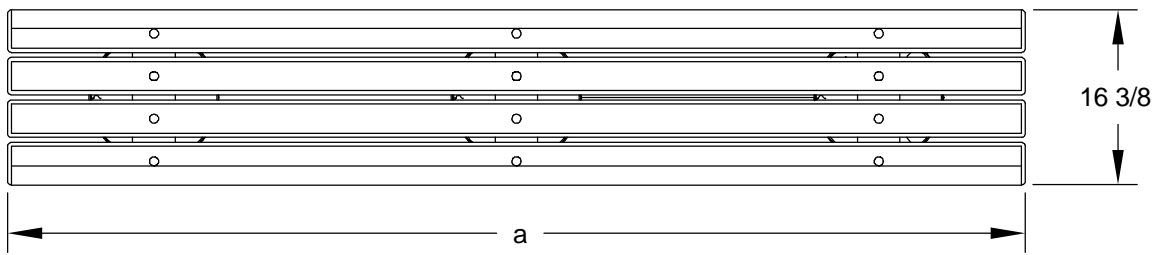
### **AVAILABLE OPTIONS**

- **4', 6', or 8' models**
- **Choice of colors of Powder Coat Finish on steel frame components**
- **Choice of colors of Recycled Plastic Armrests**

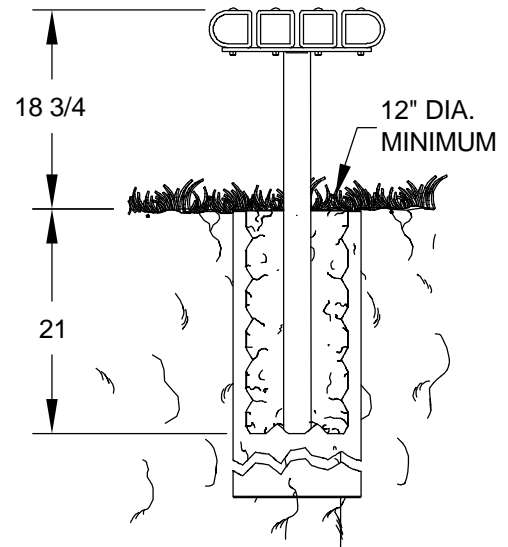
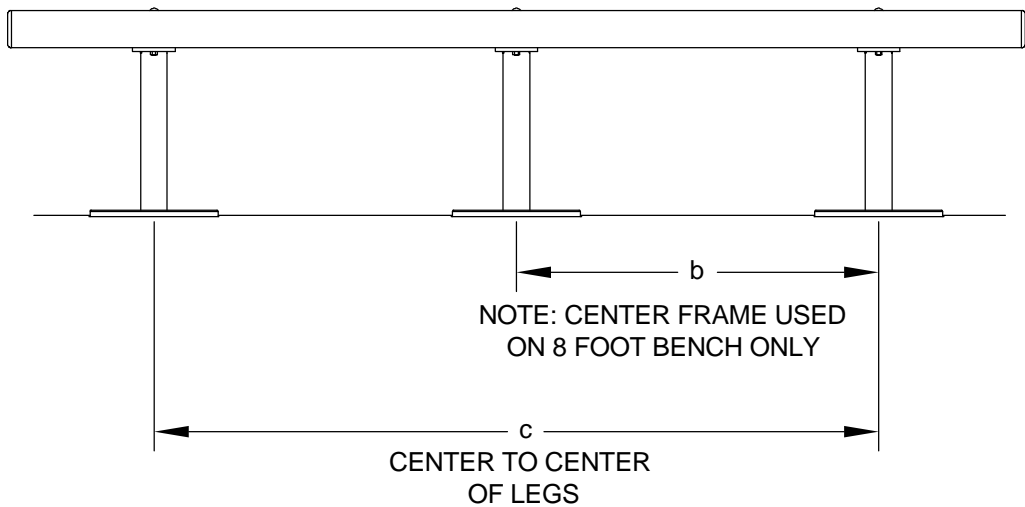
**RJThomas Mfg. Co., Inc.**

PO Box 946 • Cherokee, IA 51012-0946 • PH: 712-225-5115 • 800-762-5002 • FAX: 712-225-5796  
E-mail: pilotrock@rjthomas.com • Web Site: <http://www.pilotrock.com>

© 2008 RJThomas Mfg. Co., Inc. PILOT ROCK® Park Products is a registered trademark of RJThomas Mfg. Co., Inc.



MODEL NUMBER	DIMENSION		
	a	b	c
SWB-4	47-1/2	N/A	36
SWB-6	71-1/2	N/A	48
SWB3-8	95-1/2	34	68



NOTE:  
LOCAL SOIL  
CONDITIONS  
MAY REQUIRE  
A LARGER  
FOOTING  
(CHECK LOCAL  
CODES)

ALL DIMENSIONS IN INCHES

<b>RJThomas Mfg. Co., Inc.</b> P.O. Box 946 • Cherokee, IA 51012-0946	DRAWN BY <b>WWM</b>	TITLE MODEL SWB 4, 6, AND 8 FOOT EMBEDDED MOUNT FLAT BENCH WITH 4" X 4" RECYCLED PLASTIC TIMBERS	DATE 9-04-08
			DWG. NO. AI-1654