

Amherst Series Model B100 6 Foot Portable or Surface Mount Flat Steel Bench



*Model B100/CB-6 6 Ft. Portable/Surface Mount Flat Steel Bench
with Black Powder Coat finish*

- **Sturdy welded steel frames**
- **Contour design**
- **Integrated armrests**
- **Bolt together assembly reduces shipping costs**
- **Plasma cut design in seat compliments Pilot Rock Amherst Trash Receptacle Holders**
- **Quality construction throughout**

SPECIFICATIONS:

- **Model B100** end frames are one-piece welded construction of 2" x 2" x 11 ga. wall square tube forming two legs, a seat support, and an armrest. 1/4" thick steel mounting plates welded to the bottom of each leg provide 9/16" holes for anchoring to hard surfaces (anchors not included).
- **Standard:** Seat is made of 7 ga. steel plate, plasma cut with a pattern of openings. A 1" x 2" x 11 ga. wall rectangular steel tube frame is welded to the plate for support. The seat bolts to the end frames by means of predrilled holes and 3/8" bolts.
- Seat height is 17" (nom.).
- **Model B100/CB-6** is a nom. 6 ft. in length.
- **Standard:** Finish is Black Powder Coat (indicated by "/CB" in model no., e.g. B100/CB-6).
- Bench is shipped unassembled.
- All fasteners are provided for assembly.
- **Optional:** Color choices of powder coated finish. For optional colors choices see Specification Bulletin #SPC-CO-001.

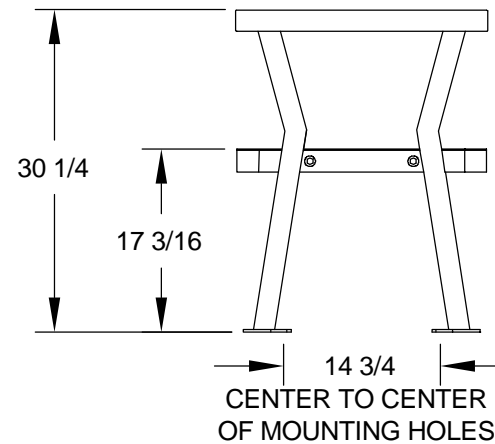
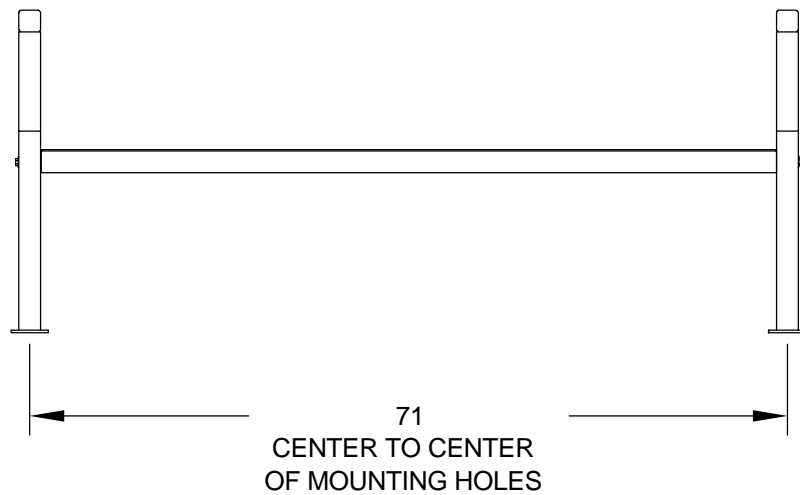
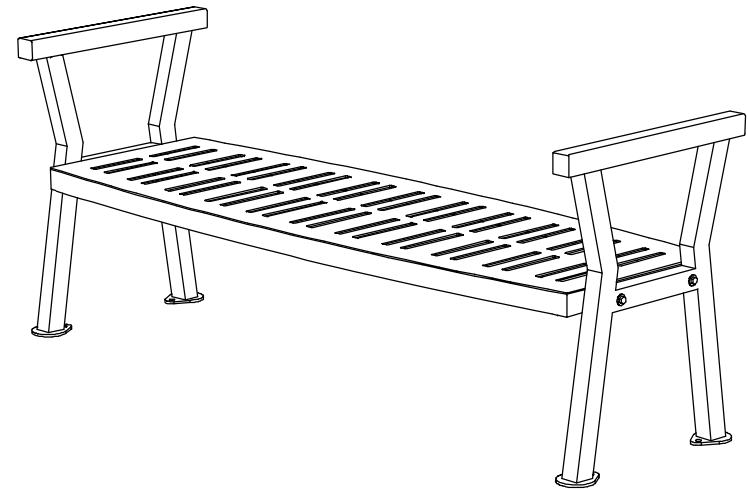
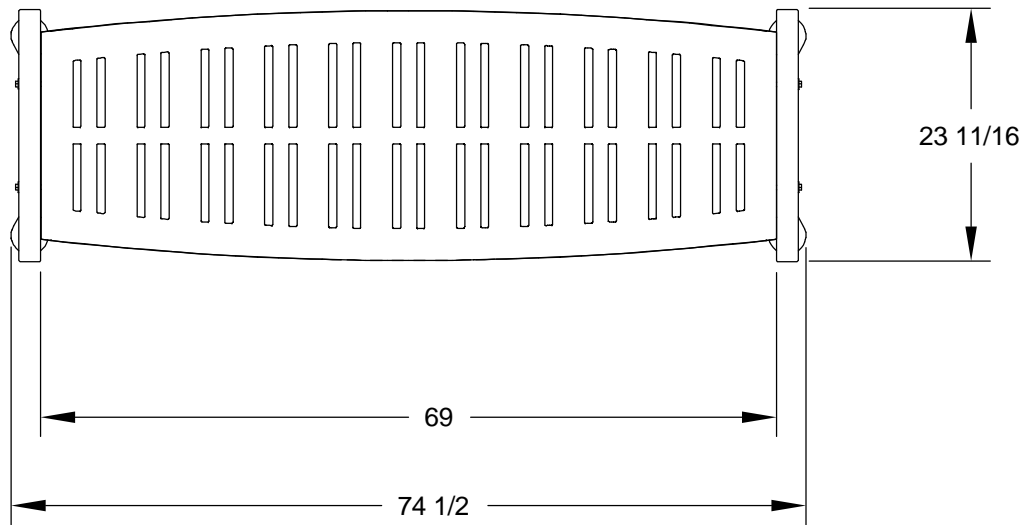
AVAILABLE OPTIONS

Choice of colors of Powder Coat Finish

RJThomas Mfg. Co., Inc.

PO Box 946 • Cherokee, IA 51012-0946 • PH: 712-225-5115 • 800-762-5002 • FAX: 712-225-5796
E-mail: pilotrock@rjthomas.com • Web Site: <http://www.pilotrock.com>

© 2008 RJThomas Mfg. Co., Inc. PILOT ROCK® Park Products is a registered trademark of RJThomas Mfg. Co., Inc.



ALL DIMENSIONS IN INCHES

RJThomas Mfg. Co., Inc.
P.O. Box 946 • Cherokee, IA 51012-0946

DRAWN BY
WWM

TITLE MODEL B100 AMHERST SERIES 6 FOOT PORTABLE/SURFACE MOUNT
FLAT STEEL BENCH

DATE 8-20-08

DWG. NO. AI-1660