



*Model GB3/B-6PA24 6 Ft. long Gibraltar Cast Iron Bench  
with Black Enamel painted Frames  
and Gray Recycled Plastic 2" x 4" planks.*

- **Ornate Cast Iron frames are made of Recycled Iron**
- **Surface mount or portable**
- **100% Recycled Plastic Seat and Back Planks with solid color and U.V. stabilizer for ultraviolet protection**
- **Precision drilled planks**
- **Quality construction throughout**

---

**SPECIFICATIONS:**

---

- **GB Series** bench end frames are one-piece, molded cast iron frame made from recycled iron. Ornate design incorporates legs, seat and back supports, and armrest in a single component. Frame feet include 7/16" dia. anchor holes for mounting on hard surfaces (anchors not included).
- **Model GB/B-4** is 4 ft. long (nom.) with two frames.
- **Model GB3/B-6** is 6 ft. long (nom.) with three frames.
- **Model GB4/B-8** is 8 ft. long (nom.) with four frames.
- **Standard:** Frames are finished in black enamel paint (indicated by "/B" in model no., e.g. GB/B-4PC24).
- **Standard:** Back and seat are made of 100% Recycled Plastic molded into 2" x 4" nominal sized planks with solid Cedar color (indicated by "PC" in model no., e.g. GB/B-4PC24) formed throughout and a U.V. stabilizer added for ultra-violet protection.
- All fasteners are provided for assembly.
- **Optional:** Color choices of Recycled Plastic components. For optional colors choices see Specification Bulletin #SPC-CO-001.

---

**AVAILABLE OPTIONS**

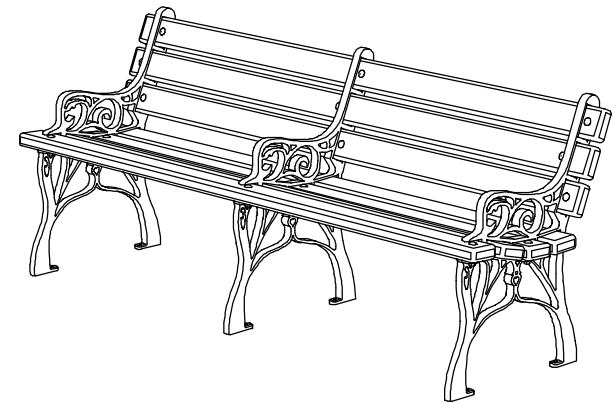
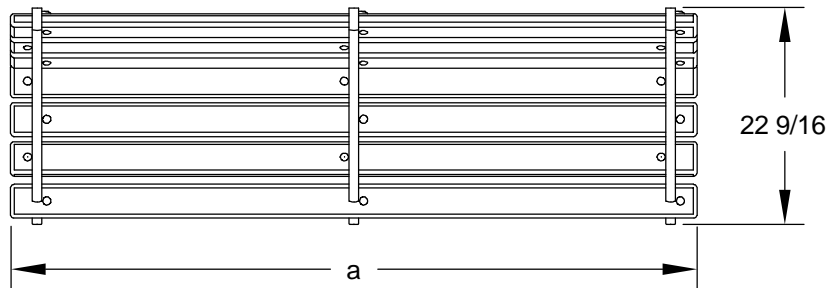
---

- **4', 6' or 8' models**
- **Choice of colors of Recycled Plastic**
- **Routed Lettering available (call for details)**

**RJThomas Mfg. Co., Inc.**

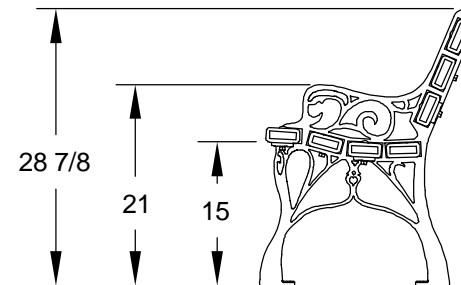
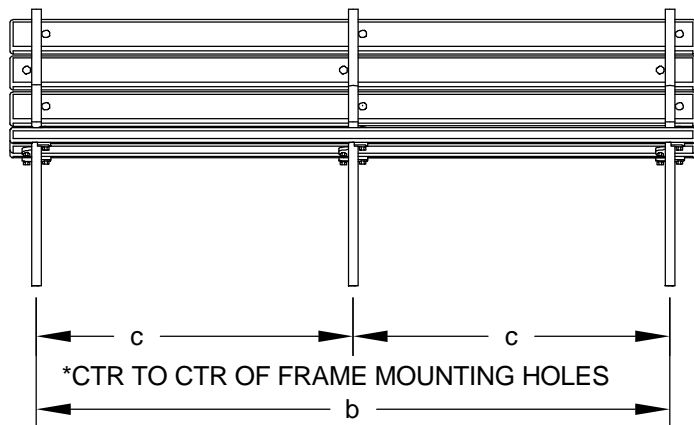
PO Box 946 • Cherokee, IA 51012-0946 • PH: 712-225-5115 • 800-762-5002 • FAX: 712-225-5796  
E-mail: pilotrock@rjthomas.com • Web Site: <http://www.pilotrock.com>

© 2008 RJThomas Mfg. Co., Inc. PILOT ROCK® Park Products is a registered trademark of RJThomas Mfg. Co., Inc.



MODEL NUMBER	DIMENSION		
	a	b	c*
GB-4	47 1/2	42	N/A
GB-6	71 1/2	66	33
GB-8	95 1/2	90	30

\* NOTE:  
 4 FT. LONG BENCH  
 USES TWO FRAMES  
 (DOES NOT HAVE  
 CENTER FRAME).  
 8 FT. BENCH USES  
 FOUR FRAMES



ALL DIMENSIONS IN INCHES

**RJThomas Mfg. Co., Inc.**  
 P.O. Box 946 • Cherokee, IA 51012-0946

DRAWN BY  
**WWM**

TITLE GIBRALTAR SERIES 4, 6 AND 8 FOOT CAST IRON BENCH  
 WITH RECYCLED PLASTIC PLANKS

DATE 9-03-08

DWG. NO. AI-1720