



*Model B92/CU-6SP Surface Mount Contour Bench
with Blue Powder Coat finish, 6 Ft. long.*

- **Comfortable contour seat design**
- **Frame design includes comfortable armrests**
- **Sturdy cast iron end frames. Formed and welded steel seat and brace components**
- **Powder Coat finish**
- **Easy bolt together assembly**
- **Quality construction throughout**

SPECIFICATIONS:

- **Model B92 Series** end frames are a one-piece molded cast iron construction with armrests incorporated into the design.
- Frames are supported by a horizontal brace of 1.9" O.D. x 11 ga. wall steel pipe.
- 6 and 8 foot models include a center vertical support that connects all seat timbers and the horizontal brace to prevent deflection of timbers.
- Bench is designed to be permanently surface mounted using 9/16" dia. holes provided in each leg foot for use with anchors (anchors not included).
- **Model B92-4** is a nom. 4 ft. in length.
- **Model B92-6** is a nom. 6 ft. in length.
- **Model B92-8** is a nom. 8 ft. in length.
- **Standard:** Seat is a one piece assembly made of a decorative horizontal diamond pattern cut into a 10 ga. thick steel plate welded to 7 ga. end plates. Front and top edges have a 1-13/16" radius roll to form a smooth curved outer edge of seat.
- **Standard:** All steel and cast iron frame components are finished in Black powder coat (indicated by "/CB" in model no., e.g. B92/CB-4SP).
- All fasteners are provided for assembly.
- **Optional:** Color choices of powder coated finish. For optional colors choices see Specification Bulletin #SPC-CO-001.
- **Optional:** Custom lettering cut into the backrest area is available, please inquire for details.

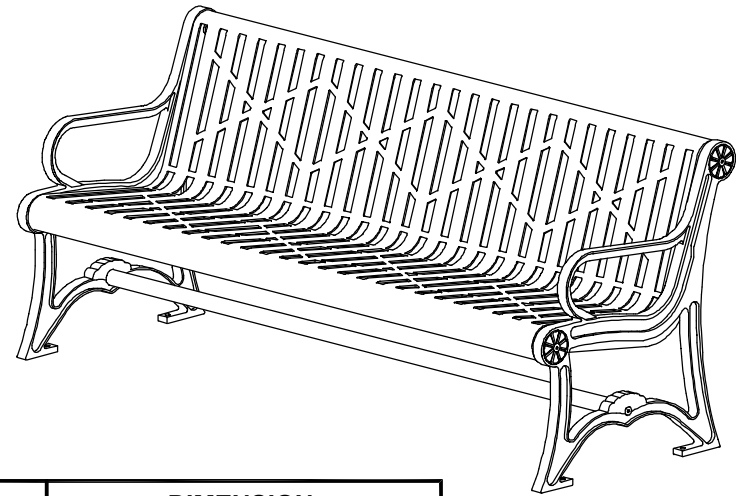
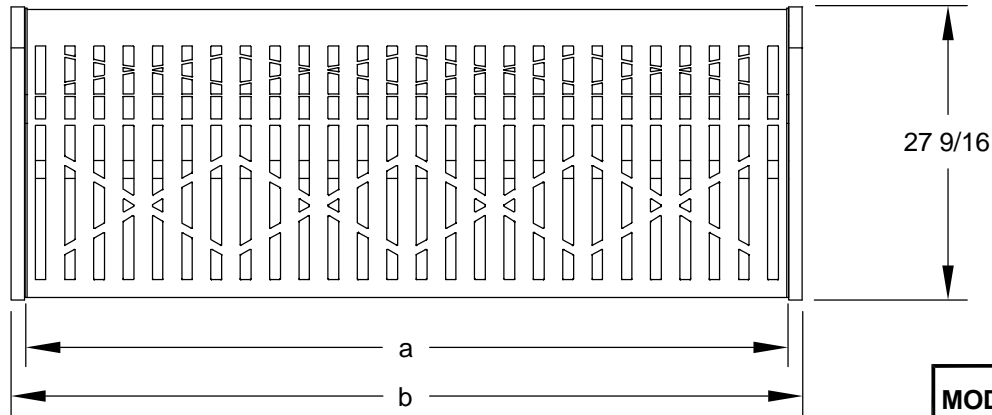
AVAILABLE OPTIONS

- **4', 6', or 8' models**
- **Choice of colors of Powder Coat Finish**
- **Custom lettering cut into seat**

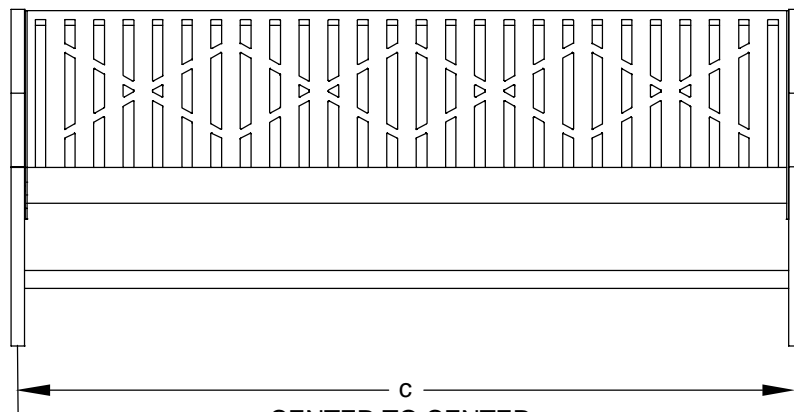
RJThomas Mfg. Co., Inc.

PO Box 946 • Cherokee, IA 51012-0946 • PH: 712-225-5115 • 800-762-5002 • FAX: 712-225-5796
E-mail: pilotrock@rjthomas.com • Web Site: <http://www.pilotrock.com>

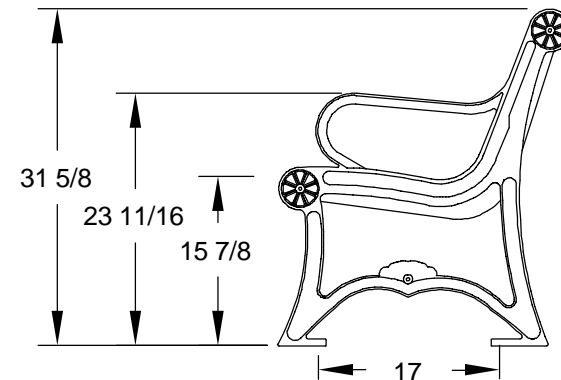
© 2008 RJThomas Mfg. Co., Inc. PILOT ROCK® Park Products is a registered trademark of RJThomas Mfg. Co., Inc.



| MODEL NUMBER | DIMENSION | | |
|--------------|-----------|--------|----|
| | a | b | c |
| B92-4 | 47 5/8 | 50 1/4 | 49 |
| B92-6 | 71 5/8 | 74 1/4 | 73 |
| B92-8 | 95 5/8 | 98 1/4 | 97 |



CENTER TO CENTER OF MOUNTING HOLES



CENTER TO CENTER OF MOUNTING HOLES

ALL DIMENSIONS IN INCHES

RJThomas Mfg. Co., Inc.
P.O. Box 946 • Cherokee, IA 51012-0946

DRAWN BY
WWM

TITLE OAK KNOLL SERIES MODEL B92 4, 6, AND 8 FOOT CONTOUR SURFACE MOUNT BENCH WITH CAST IRON END FRAMES AND STEEL PLATE SEAT AND BACK

DATE 9-02-08

DWG. NO. **AI-1807**