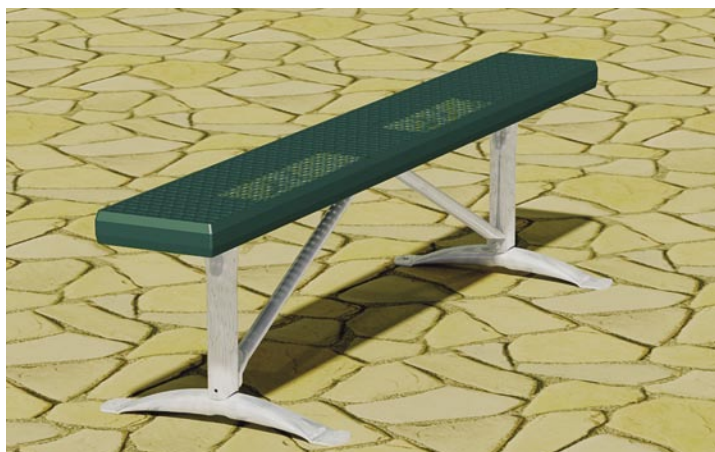


## Model PAB Surface Mount 4, 6, and 8 Foot Athletic Bench with Thermo-plastic Coated V-Type Expanded Steel Seat



**Model PAB/G-6VN10** Surface Mount Athletic Bench  
with hot dip galvanized frames, 6 Ft. long  
with green thermo-plastic coated V-type expanded steel seat.

- **Extra heavy design to be stronger and more stable with a simple, clean style.**
- **Sturdy, formed and welded steel frame construction**
- **Frames are Hot-Dip Galvanized after fabrication for superior corrosion resistance**
- **Thermo-plastic Coating heat fused to Expanded Steel Top for durability**
- **Thermo-plastic Coating formulated with U.V. stabilizers for ultraviolet protection**
- **Quality construction throughout**

### AVAILABLE OPTIONS

- 4', 6', or 8' models
- Powder Coat Finish in choice of colors for Steel Frame components
- Choice of colors of Thermo-plastic Coating

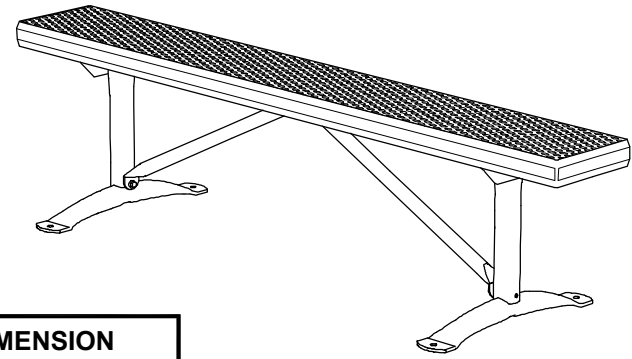
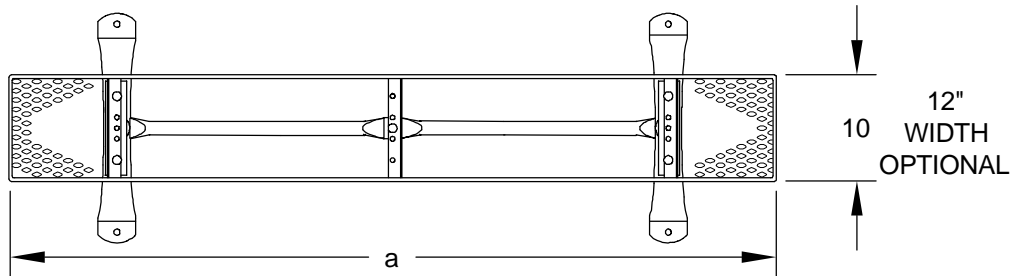
### SPECIFICATIONS:

- **Model PAB** end frames are one-piece, welded construction with seat bracket of 2" x 2" x 3/16" A-36 structural grade steel angle and a 2.375" (2-3/8") O.D. post and foot to meet 2" nominal steel pipe size specifications. Frame foot is formed with flattened and rounded ends. A 9/16" hole is provided in each end of foot for optional surface mounting with concrete anchors (anchors not included).
- **Model PAB/G-4** is 4 ft. long (nom.) with two frames.
- **Model PAB/G-6** is 6 ft. long (nom.) with two frames and diagonal braces.
- **Model PAB/G-8** is 8 ft. long (nom.) with two frames and diagonal braces.
- **Standard:** All steel frame components are hot-dip galvanized after fabrication to ASTM-A123 to maintain an average zinc coating of 2.0 oz. per sq. ft. of surface area (indicated by "/G" in model no., e.g. PAB/G-4VW10).
- All fasteners are provided for assembly.
- **V-Type** bench seat is a one-piece welded construction, fabricated from a 3/4"-#9 expanded steel surface with 10 ga. x 2-1/2" roll-formed vertical edges on all sides and reinforced by a 10 ga. die-formed angle substructure. Substructure includes all mounting holes for easy assembly of bench.
- **Standard:** All steel surfaces of the seat are covered with a thermo-plastic coating in a Brown color (indicated by "VW" in model no., e.g. PAB/G-4VW10). The UV-stabilized thermo-plastic coating is applied in a multi step process of material preparation and finish application designed to permanently heat fuse and bond the finish to the steel. The thermo-plastic polyethylene finish is impact resistant, does not support mold or mildew, and the textured matte surface is less susceptible to marring and scuffing.
- **Standard:** Seat is 10" wide (nom.), indicated by "10" at end of model number, e.g. PAB/G-4VW10.
- **Optional:** Seat is 12" wide (nom.), indicated by "12" at end of model number, e.g. PAB/G-4VW12.
- **Optional:** Color choices of powder coated steel frame components. For optional colors choices see Specification Bulletin #SPC-CO-001.
- **Optional:** Color choices of Thermo-plastic coated steel components. For optional colors choices see Specification Bulletin #SPC-CO-001.

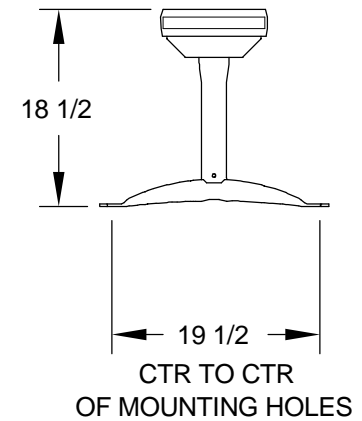
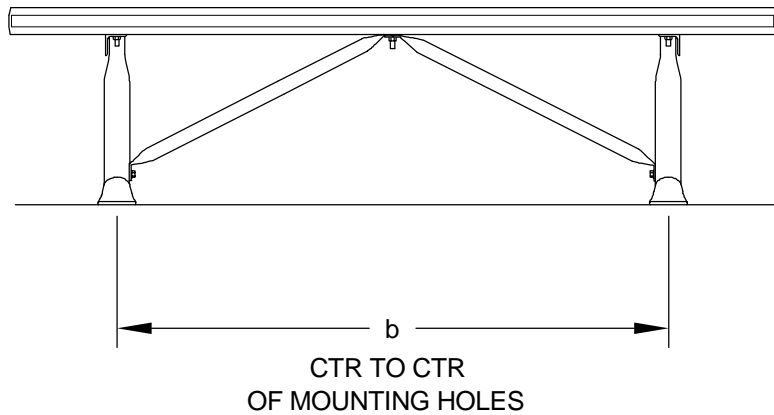
**RJ Thomas Mfg. Co., Inc.**

PO Box 946 • Cherokee, IA 51012-0946 • PH: 712-225-5115 • 800-762-5002 • FAX: 712-225-5796  
E-mail: pilotrock@rjthomas.com • Web Site: <http://www.pilotrock.com>

© 2008 RJ Thomas Mfg. Co., Inc. PILOT ROCK® Park Products is a registered trademark of RJ Thomas Mfg. Co., Inc.



MODEL NUMBER	DIMENSION	
	a	b
PAB-4	48	36
PAB-6	72	51-3/4
PAB-8	96	70



ALL DIMENSIONS IN INCHES

**RJThomas Mfg. Co., Inc.**  
P.O. Box 946 • Cherokee, IA 51012-0946

DRAWN BY  
**WWM**

TITLE MODEL PAB HEAVY DUTY 4, 6, AND 8 FOOT PORTABLE/SURFACE MOUNT  
ATHLETIC BENCH WITH THERMO-PLASTIC COATED V-TYPE EXPANDED STEEL  
SEAT

DATE 2-25-10

DWG. NO. AI-1839