



Model HRE/G Hitchin' Post embedded mount bicycle rack

- **Secures one or two bikes**
- **Strong 2-3/8" diameter tubing**
- **Hot dip galvanized after fabrication for long lasting finish**
- **Two installation choices**

SPECIFICATIONS:

- **Model HR** Hitchin' Post bike rack is constructed from 2-3/8" dia. 11 ga. (.115) wall steel tubing with two 6" inside radius die-formed bends creating an inverted "U" shape providing a rack for securing as many as two bicycles.
- **Model HR** bike rack is designed to have an overall height of 35-1/4" and an overall width of 29-3/8".
- Bike rack is hot-dip galvanized after fabrication to ASTM-A123 to maintain an average zinc coating of 2.0 oz. per sq. ft. of surface area (indicated by "/G" in model no. HRE/G).
- **Two Installation Choices:**
 - **Embedded:** The vertical legs of the **Model HRE/G** bike rack are embedded 9-3/4" into concrete footings (indicated by "E" in model no., e.g. HRE/G). A 9/16" dia hole through each leg shall be provide for insertion of a 1/2" rod (not included) to additionally secure the rack in the footings.
 - **Optional:** A formed pregalvanized steel cover cap is available for the **Model HRE/G** bike rack.
 - **Surface Mount:** The vertical legs of the **Model HRP/G** bike rack are threaded to receive screw-on flanges with two 9/16" dia. holes for 3/8" anchor bolts (not included) for surface mount applications (indicated by "P" in model no., e.g. HRP/G).
 - **Standard:** Two formed pregalvanized steel cover caps are included with **Model HRP/G** bike racks to cover anchors for safety and appearance.
 - **Optional:** A set of four 3/8" dia. x 3" heavy duty screw anchors for concrete surface mounting of Model HRP are available (order **Model ANC3-4** anchor kit as an additional item).
 - **Optional:** Color choices of powder coated steel. For optional colors choices see Specification Bulletin #SPC-CO-001.

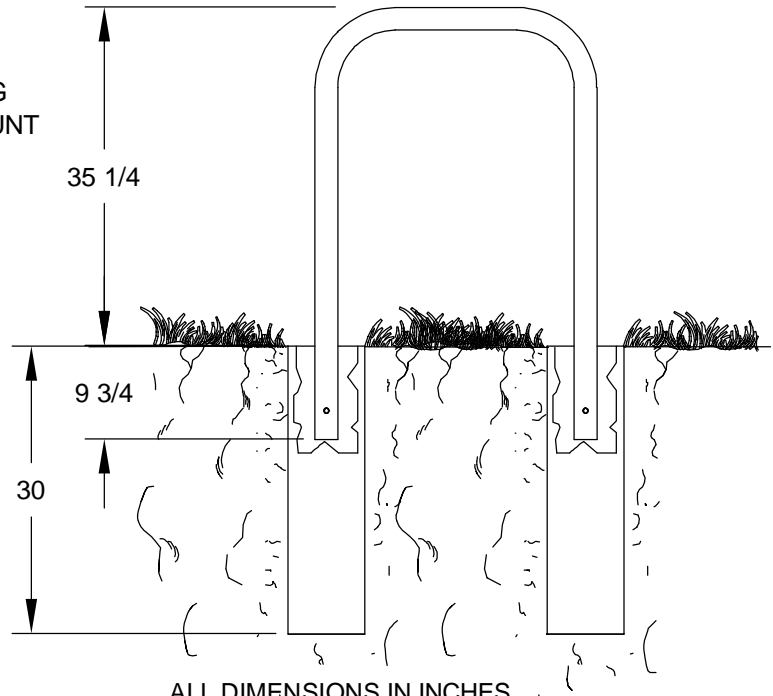
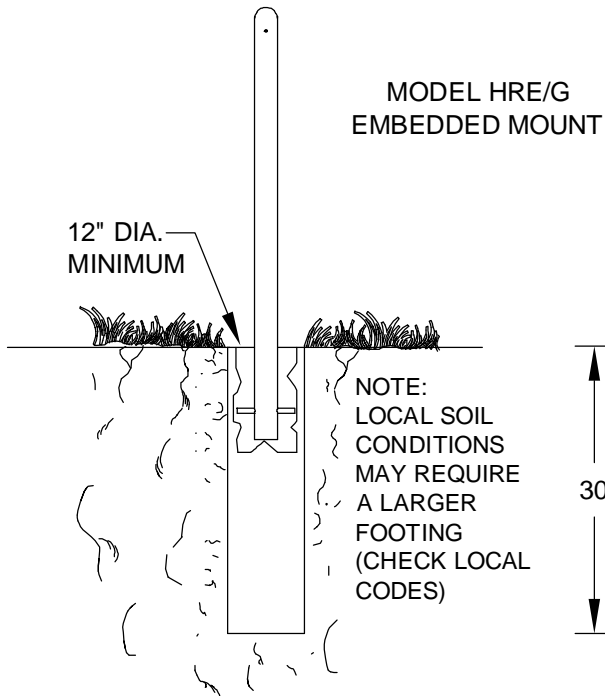
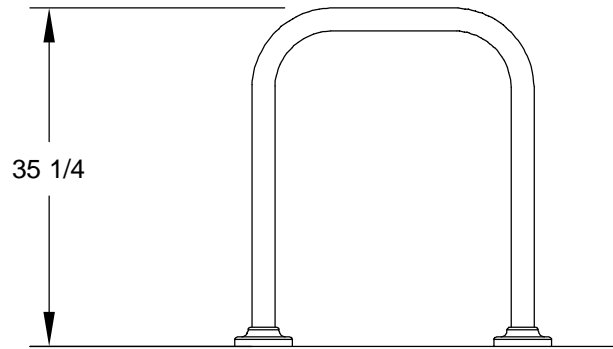
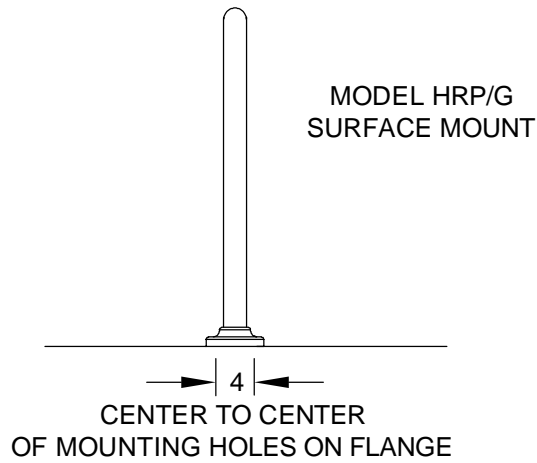
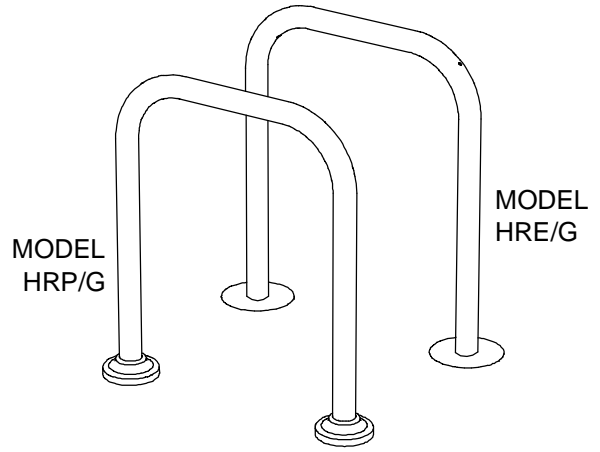
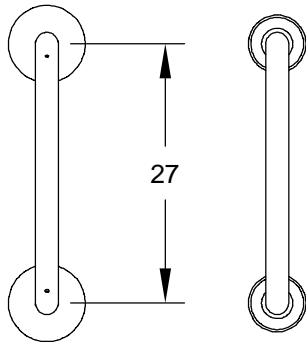
AVAILABLE OPTIONS

- Powder Coat Finish in choice of colors**
- Embedded or surface mount**
- Pregalvanized cover cap for Model HRE**

RJThomas Mfg. Co., Inc.

PO Box 946 • Cherokee, IA 51012-0946 • PH: 712-225-5115 • 800-762-5002 • FAX: 712-225-5796
E-mail: pilotrock@rjthomas.com • Web Site: <http://www.pilotrock.com>

© 2008 RJThomas Mfg. Co., Inc. PILOT ROCK® Park Products is a registered trademark of RJThomas Mfg. Co., Inc.



ALL DIMENSIONS IN INCHES

RJThomas
Mfg. Co., Inc.
P.O. Box 946
Cherokee, IA 51012

TITLE MODEL HRE/G EMBEDDED MOUNT AND MODEL HRP/G SURFACE
MOUNT HITCHIN' POST BIKE RACKS

DRAWN BY **WWM**

DATE 9-10-08

DWG. NO. **AI-1772**