



*Model BR102/CR Bollard Bike Rack holds two bikes.  
Red Powder Coat finish.*

- **One-piece welded construction**
- **Strong 4-1/2" OD post**
- **Models to hold two or four bike**
- **Works with all sizes of bikes and most security devices**
- **Durable powder coat finish in a choice of colors**

## **SPECIFICATIONS:**

- **Model BR102** and **Model BR104** bike racks are a one-piece welded construction of 1-1/2" OD x 11 ga. round tubing loops welded to a 4-1/2" OD x 10 ga. wall steel center post with a 1/4" thick 8" square base plate. Base plate has four 25/32" dia. holes for mounting on hard surfaces (anchors not included).
- Design accommodates all sizes of bikes and most commercially available bike security devices.
- **Model BR102** has two loops and hold two bikes.
- **Model BR104** has four loops and hold four bikes.
- **Model BR106** has six loops and hold six bikes.
- **Standard:** Entire unit has a black powder coat finish.
- **Optional:** A choice of powder coat colors is available. For color choices see Specification Bulletin #SPC-CO-001.
- **Optional:** Anchor Kit **ANC1-4** with four 1/2" dia. x 3" screw anchors. Order separately.

---

## **AVAILABLE OPTIONS**

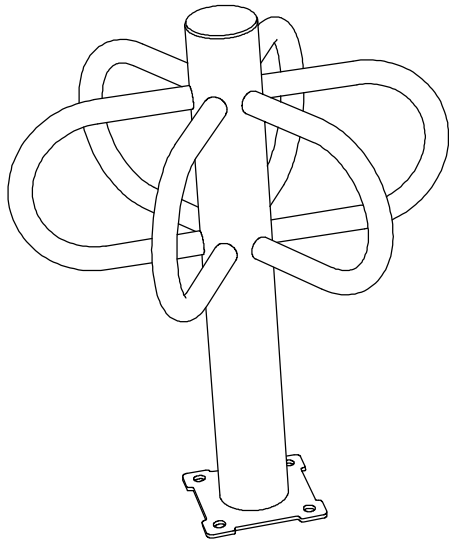
---

- 2, 4, or 6 bike models**
- Choice of colors of Powder Coat Finish**
- Anchor kit**

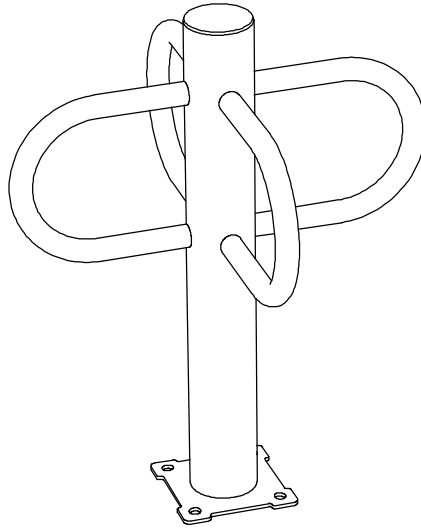
**RJ Thomas Mfg. Co., Inc.**

PO Box 946 • Cherokee, IA 51012-0946 • PH: 712-225-5115 • 800-762-5002 • FAX: 712-225-5796  
E-mail: [pilotrock@rjthomas.com](mailto:pilotrock@rjthomas.com) • Web Site: <http://www.pilotrock.com>

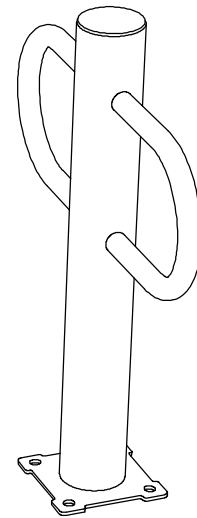
© 2008 RJ Thomas Mfg. Co., Inc. PILOT ROCK<sup>®</sup> Park Products is a registered trademark of RJ Thomas Mfg. Co., Inc.



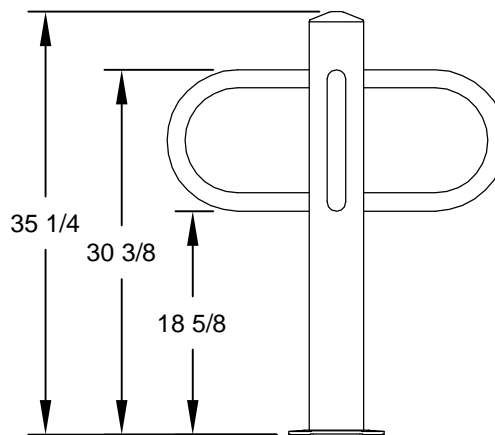
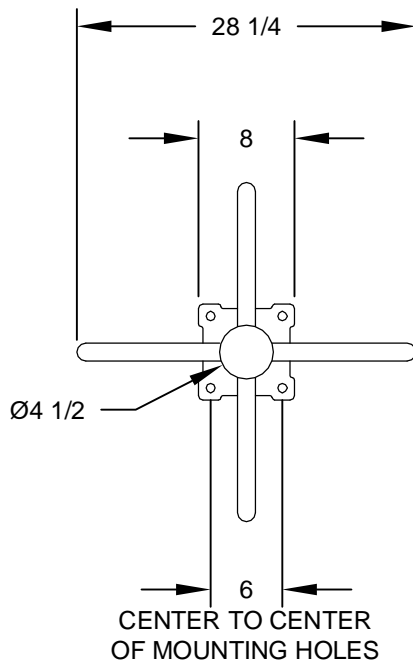
MODEL BR106  
HOLDS SIX BIKES



MODEL BR104  
HOLDS FOUR BIKES



MODEL BR102  
HOLDS TWO BIKES



ALL DIMENSIONS IN INCHES

**RJThomas**  
**Mfg. Co., Inc.**  
P.O. Box 946  
Cherokee, IA 51012

TITLE MODELS BR102, BR104, AND BR106 SURFACE MOUNT  
BOLLARD BIKE RACK

DRAWN BY WWM

DATE 1-14-11

DWG. NO. AI-1802