



*Model FS-30/7/AL/S Campfire Ring  
with Optional Utility Shelf*

- **Flanged firering for strength and safety**
- **Single level, hinged cooking grate**
- **Grate tips back for fire building**
- **Public use-type spring grips of coiled steel bar**
- **Three fire barrier heights available**
- **Angle spade anchors provide permanent location**
- **“Bottomless” design installs without concrete pad**
- **Utility shelf option**
- **Quality construction throughout**

## **SPECIFICATIONS:**

- **Model FS-30/7/AL** HAS a 7-3/8" high fire barrier. 32" overall dia. ring IS constructed from 3/16" thick steel with a formed (NOT WELDED) 1" flanged lip around the top of the ring and 9/16" dia. draft holes spaced around the bottom perimeter.
- **Model FS-30/9/AL** HAS a 9" high fire barrier. 32" overall dia. ring is constructed from 3/16" thick steel with a formed (NOT WELDED) 1" flanged lip around the top of the ring and 1" dia. draft holes spaced around the bottom perimeter.
- **Model FS-30/11/AL** has an 11-3/8" high fire barrier. 32" overall dia. ring is constructed from 3/16" thick steel with a formed (NOT WELDED) 1" flanged lip around the top of the ring and 1" dia. draft holes spaced around the bottom perimeter.
- 290 sq. in. grate is constructed from 5/8" dia. A-36 steel bars around the perimeter, 3/4" dia. A-36 steel bar for the handle and 1/2" dia. A-36 steel bars to provide the grate surface.
- Grate is attached to and hinge upon 2 tightly formed eyelets made from 5/8" dia. A-36 steel bar that makes a mechanically secure theft-proof attachment.
- Grate tips over backward to allow unobstructed viewing of the fire by persons seated around the fire. Grate is supported by the ground when tipped back so grate cannot be vandalized.
- Grate handle is provided with two substantially constructed spring grips suitable for public use made from 1/8" x 1/2" steel flat bar.
- Ring is provided with three heavy anchors of 1-3/4" x 1-3/4" x 3/16" A-36 steel angle with welded-on spades of 1/8" thick steel to permanently anchor unit to ground (indicated by /AL in model no., e.g. FS-30/7/AL).
- Entire unit is finished in high temperature, heat resistant, nontoxic black enamel paint.
- **Optional:** Firering shall be provided with a 3/16" x 7-1/8" x 9-5/8" steel plate utility shelf. (Add /S to model no., e.g. FS-30/7/TB/S.)

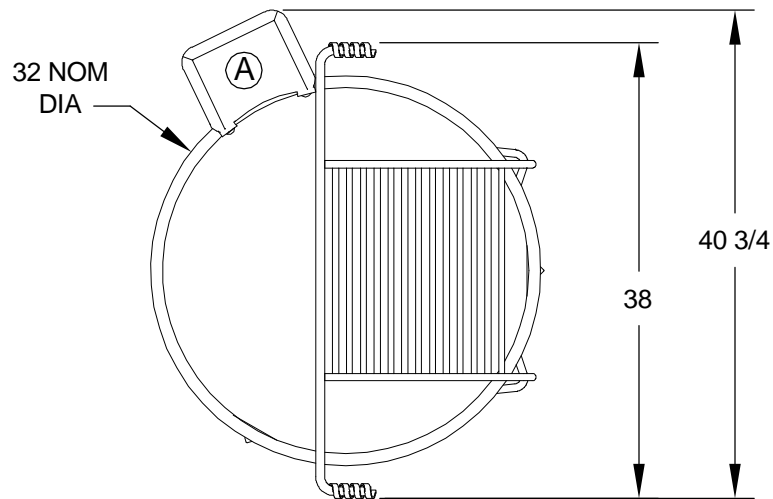
## **AVAILABLE OPTIONS**

### **Utility Shelf**

**RJThomas Mfg. Co., Inc.**

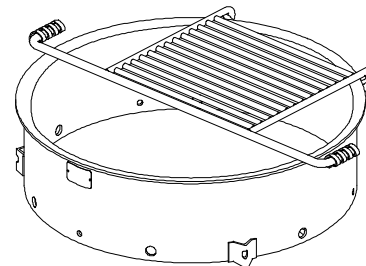
PO Box 946 • Cherokee, IA 51012-0946 • PH: 712-225-5115 • 800-762-5002 • FAX: 712-225-5796  
E-mail: [pilotrock@rjthomas.com](mailto:pilotrock@rjthomas.com) • Web Site: <http://www.pilotrock.com>

© 2008 RJThomas Mfg. Co., Inc. PILOT ROCK® Park Products is a registered trademark of RJThomas Mfg. Co., Inc.

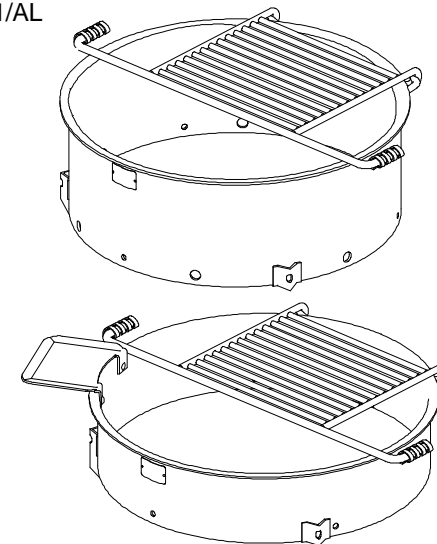


(A) OPTIONAL UTILITY SHELF - ADD /S TO MODEL NUMBER

MODEL FS-30/11/AL

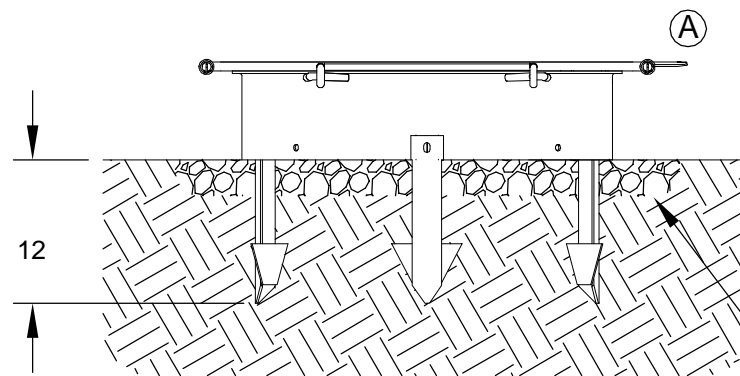
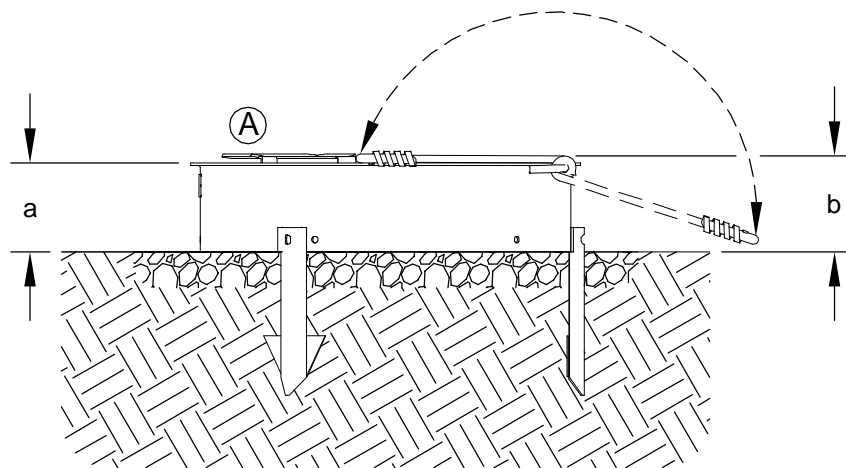


MODEL FS-30/9/AL



MODEL FS-30/7/AL/S

| MODEL NUMBER | DIMENSION |       |
|--------------|-----------|-------|
|              | a         | b     |
| FS-30/7/AL   | 7-3/8     | 8     |
| FS-30/9/AL   | 9         | 9-5/8 |
| FS-30/11/AL  | 11-3/8    | 12    |



3" DEEP COARSE AGGREGATE FILL

ALL DIMENSIONS IN INCHES

RJThomas Mfg. Co., Inc.  
P.O. Box 946 • Cherokee, IA 51012-0946

DRAWN BY  
WWM

TITLE FS-30 SERIES CAMPFIRE RING WITH ANGLE SPADE ANCHORS; 3 MODELS WITH 3 SIDE HEIGHTS - SHOWN WITH OPTIONAL UTILITY SHELF

DATE 9-19-08

DWG. NO. AI-1430