



Model G-32 Ground Grill

- **270 square inches of cooking surface**
- **Cooking grate tips back for easy fire building and cleaning**
- **Public use-type spring grips of coiled steel bar**
- **Angle leg spade anchors for permanent location on ground surfaces**
- **No leveraged pinch points between grate and box**
- **Quality construction throughout**

SPECIFICATIONS:

- **Model G-32** firebox is fabricated from 3/16" steel plate to provide an 18" x 32" x 7" high fire area and an ash flange is die-formed into each end. All corners are removed at the ends of the firebox to a 1-1/2" radius. Open ended trough design allows burning longer logs. Logs can be fed into fire as their center burns away.
- Firebox is entirely rib reinforced to prevent heat warpage. All exposed edges and corners are stiffened by a formed offset in excess of the material thickness. All exposed edges are mechanically deburred. Four steel angle anchor stakes with welded-on spades extend 14" below the bottom of the firebox and are permanently welded to firebox and rib reinforcement.
- An infinitely adjustable grate is provided with 270 sq. in. of area. Grate is fabricated from 5/8" dia. A-36 steel bars around the perimeter, 3/4" dia. A-36 steel bars for the handles and 1/2" dia. A-36 steel bars to provide the grate surface.
- Grate is structurally reinforced to support the weight of two or more persons standing on the grate without deformation of the grate.
- Grate adjusts from 3-1/2" to 12" above the firebox on two vertical 3/4" dia. A-36 steel bars that prevent removal of grate from grill. Grate tips upward for fire building and cleanup and tips backward for unobstructed viewing of the fire by persons seated around the campfire.
- Grate handles is provided with substantial spring coil grips suitable for public use made from 1/8" x 1/2" steel flat bar.
- Entire unit is finished in high temperature, heat resistant, nontoxic black enamel.
- **Optional:** Grill is provided with a 3/16" x 7-1/8" x 9-5/8" steel plate utility shelf (add /S to end of model no., e.g. G-32/S).

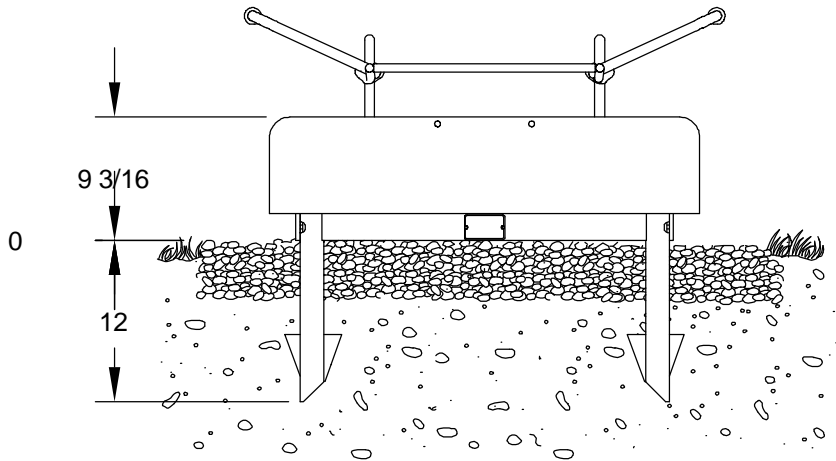
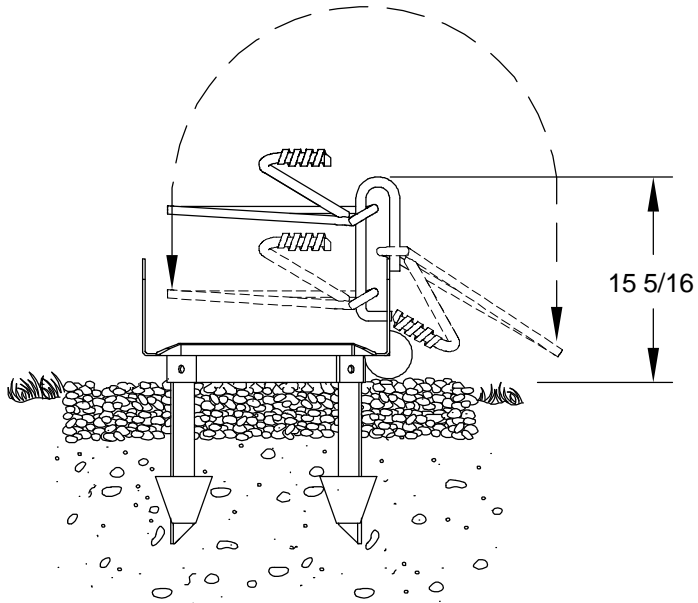
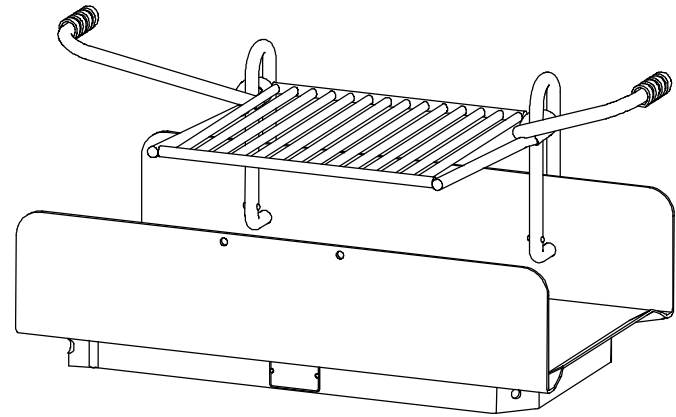
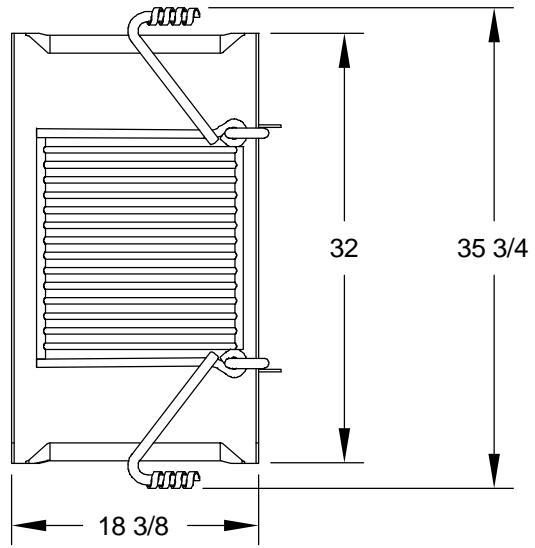
AVAILABLE OPTIONS

Utility Shelf

RJThomas Mfg. Co., Inc.

PO Box 946 • Cherokee, IA 51012-0946 • PH: 712-225-5115 • 800-762-5002 • FAX: 712-225-5796
E-mail: pilotrock@rjthomas.com • Web Site: <http://www.pilotrock.com>

© 2008 RJThomas Mfg. Co., Inc. PILOT ROCK® Park Products is a registered trademark of RJThomas Mfg. Co., Inc.



ALL DIMENSIONS IN INCHES

RJThomas Mfg. Co., Inc.
P.O. Box 946 • Cherokee, IA 51012-0946

DRAWN BY
WWM

TITLE **G-32 GROUND GRILL WITH ANGLE LEG SPADE ANCHORS**

DATE **10-08-08**

DWG. NO. **AI-1724**