

# Model FCB Concrete Firering



(Above) **Model FCB/T-36/18** Concrete firering.  
(Below) **Model FCB/T-36/18/G1** concrete firering  
with G1 cooking grate insert.



## **SPECIFICATIONS:**

- **Model FCB Series** firerings are molded to ASTM Specifications #C150 of Type III Portland cement. Compressive strength exceeds 6000 psi. Nominally 2-1/4" thick wall is steel reinforced.
- Outside of concrete ring is molded to resemble mortared brick. Tan color is mixed throughout cement. Outside of ring is coated with clear gloss acrylic water sealer.
- Eight 1" diameter drain/draft holes are evenly spaced 9" above bottom of ring. Ring is designed to be filled to bottom of drain/draft holes with customer supplied coarse aggregate stone fill. This fill raises the fire to a comfortable working level that meets ADA recommendations and protects pavers, asphalt, and other types of surfaces from the heat of the fire.
- **Model FCB/T-36/18** firering has a nominal 30" ID, 35" OD, and is 18-1/2" tall.
- **Optional: G1** cooking grate insert, die-formed 10 ga. steel ring insert 5-1/2" deep designed to fit inside the concrete ring and supported by a 1-5/8" flange on the top edge. A 21" x 12" (250 sq. in. cooking area) single level cooking grate fabricated from 1/2" dia. A-36 round steel bar is permanently secured to the insert by a 1/2" dia. round steel retaining bar that allows the grate to slide to the side of the ring or tip up out of the ring to allow easy fire building and cleaning. Insert is finished with high temp non-toxic black enamel paint. To order insert add "/G1" to model no., e.g. FCB/T-36/18/G1.

- **Steel reinforced precast concrete ring**
- **Mortared brick appearance**
- **Meets ADA height recommendations**
- **Tan color throughout concrete material**
- **Clear acrylic sealer applied to outside of ring**
- **No anchors needed**
- **Drain/draft holes**
- **8-1/2 inches of customer supplied aggregate fill protects ground surface from flame and heat**

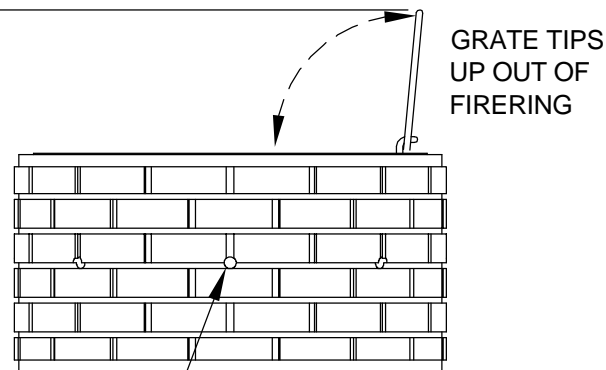
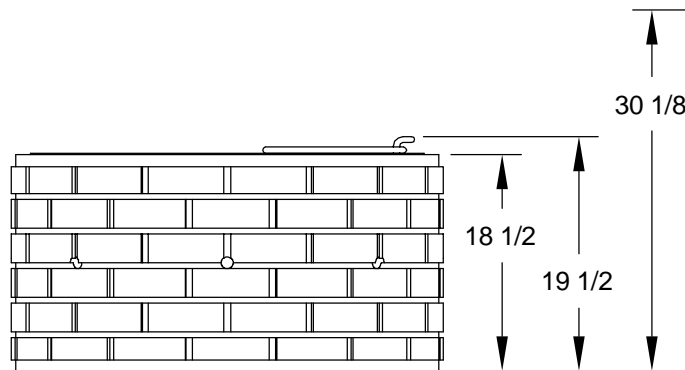
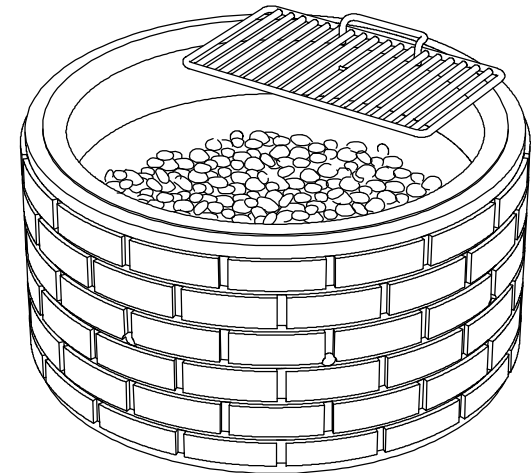
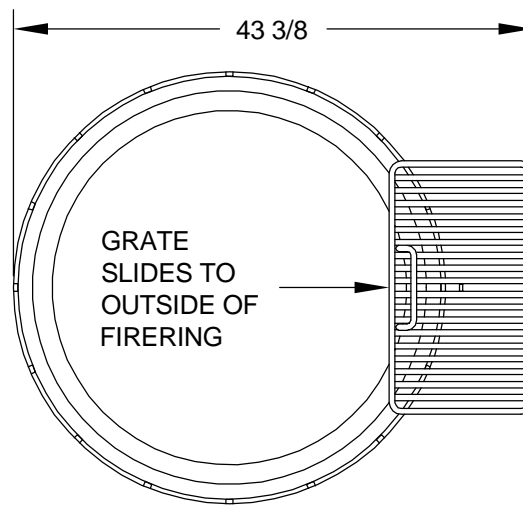
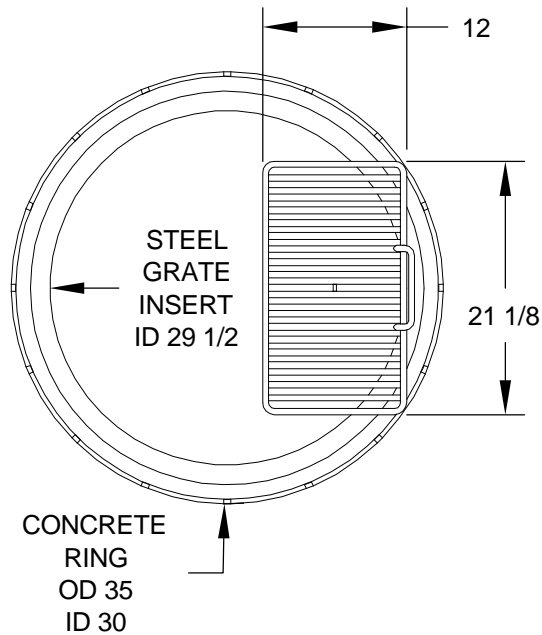
## **AVAILABLE OPTIONS**

### **Steel Cooking Grate Insert**

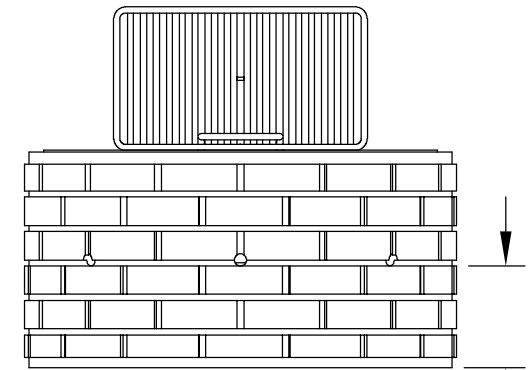
**RJThomas Mfg. Co., Inc.**

PO Box 946 • Cherokee, IA 51012-0946 • PH: 712-225-5115 • 800-762-5002 • FAX: 712-225-5796  
E-mail: pilotrock@rjthomas.com • Web Site: <http://www.pilotrock.com>

© 2008 RJThomas Mfg. Co., Inc. PILOT ROCK® Park Products is a registered trademark of RJThomas Mfg. Co., Inc.



(8) 1 INCH DRAFT HOLES



ALL DIMENSIONS IN INCHES

**RJThomas Mfg. Co., Inc.**  
P.O. Box 946 • Cherokee, IA 51012-0946

DRAWN BY  
**WWM**

TITLE MODEL FCB-36/18 CAST CONCRETE FIRERING - SHOWN WITH OPTIONAL G1 STEEL  
GRATE INSERT

DATE 9-11-08

DWG. NO. AI-1854